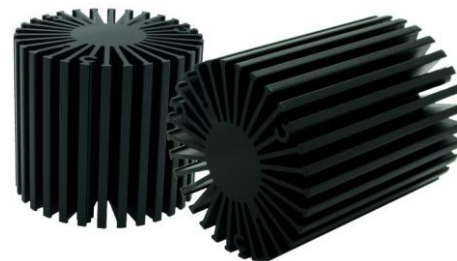


SimpoLED

SimpoLED-LUN-5870 for Luminus Modular Passive LED Cooler Φ 58mm

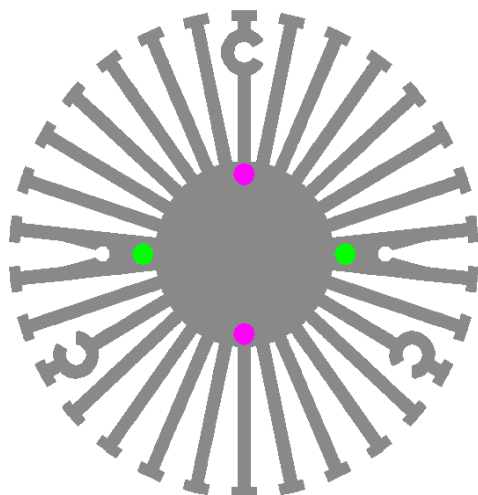
Features VS Benefits

- * The SimpoLED-LUN-5870 Luminus Modular Passive LED Coolers are specifically designed for luminaires using the Luminus LED engines.
- * Mechanical compatibility with direct mounting of the LED engines to the LED cooler and thermal performance matching the lumen packages.
- * For spotlight and downlight designs from 400 to 1800 lumen.
- * Thermal resistance range R_{th} 2.9°C/W.
- * Modular design with mounting holes foreseen for direct mounting of Luminus COB LED engines.
- * Diameter 58mm - standard height 70mm Other heights on request.
- * Extruded from highly conductive aluminum.



Luminus LED engine and radiator assembly directly Mounting Options

- * Below you find an overview of Luminus COB's and LED modules which standard fit on the SimpoLED coolers.
- * In this way mechanical after work and related costs can be avoided, and lighting designers can standardize their designs on a limited number of LED coolers.



Luminus LED engines Mounting Options

CLM-9 COB Arrays LED Modules names:

CLM-9-27-XX-36-AC00-XX-X;
 CLM-9-30-XX-36-AC00-XX-X;
 CLM-9-35-XX-36-AC00-XX-X;
 CLM-9-40-XX-36-AC00-XX-X;
 CLM-9-50-XX-36-AC00-XX-X;
 CLM-9-65-XX-36-AC00-XX-X;

CXM-9 COB Arrays LED Modules names:

CXM-9-27-XX-36-AC00-XX-X;
 CXM-9-30-XX-36-AC00-XX-X;
 CXM-9-35-XX-36-AC00-XX-X;
 CXM-9-40-XX-36-AC00-XX-X;
 CXM-9-50-XX-36-AC00-XX-X;
 CXM-9-65-XX-36-AC00-XX-X;

CHM-9 COB Arrays LED Modules names:

CHM-9-27-XX-36-AC00-XX-X;
 CHM-9-30-XX-36-AC00-XX-X;
 CHM-9-35-XX-36-AC00-XX-X;
 CHM-9-40-XX-36-AC00-XX-X;
 CHM-9-50-XX-36-AC00-XX-X;
 CHM-9-65-XX-36-AC00-XX-X;

With Zhaga Book 11 for green indicator marks:
 BJB Holder:47.319.6060.50;
 AAG.STUCCHI holder:8100-G2;
 Direct mounting with machine screws M3x8mm;
 Without LED holders for pink indicator marks.
 Direct mounting with machine screws M3x6mm;

SimpoleD

SimpoleD-LUN-5870 for Luminus Modular Passive LED Cooler Φ 58mm

Mounting Options and Drawings & Dimensions

Example: SimpoleD-LUN-5870-B-3

Example: SimpoleD-LUN-58 **1** - **2** - **3**

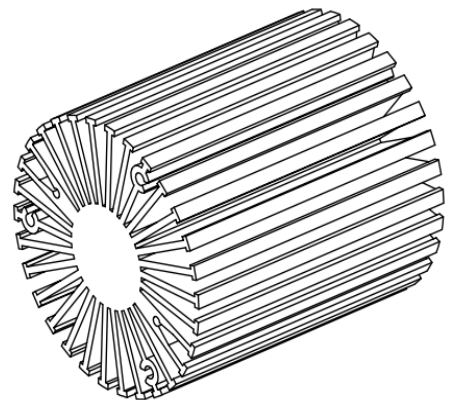
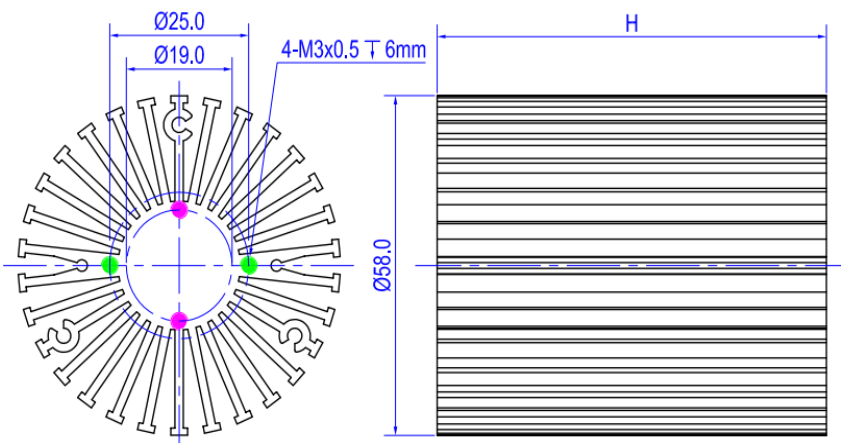
- 1** Height (mm)
- 2** Anodising Color
B-Black
C-Clear
Z-Custom
- 3** Mounting Options - see graphics for details Combinations available
Ex.order code - 12
means option 1 and 2 combined

Notes:

- Mentioned models are an extraction of full product range.
- For specific mechanical adaptations please contact MingfaTech.
- MingfaTech reserves the right to change products or specifications without prior notice.



MOUNTING OPTION	Module type	Holder NO.	THREAD	THREAD DEPTH	THREAD HOLE DISTANCE
1		/	M3	6mm	19.0mm/ 2-@180°
2	CLM-9 CXM-9 CHM-9	AAG.STUCCHI 8100-G2	M3	6mm	25.0mm/ 2-@180°
		BJB 47.313.6060.50			



SimpoleD

SimpoleD-LUN-5870 for Luminus Modular Passive LED Cooler Φ 58mm

The thermal data table

	 <i>SimpoleD-5870</i>
Model No.	SimpoleD-LUN-5870
Size	Φ58xH70mm
Material	AL6063-T5
Finish	Black Anodized
Weight(gr)	244.0
Thermal Wattage	15.5W
HeatsinkOs-a²	90020
Heat Sink T_{Rise} Above Ambient	2.9

Dissipated Power Pd(W)	Pd = Pe x (1- η L)	Heat sink to ambient thermal resistance Rhs-amb (°C/W)	Heat sink to ambient temperature rise Ths-amb (°C)
		SimpoleD-LUN-5870	SimpoleD-LUN-5870
4.0		4.00	16.0
8.0		3.50	28.0
12.0		3.12	37.5
16.0		2.90	46.5
20.0		2.76	55.3

