

SimpoleD

SimpoleD-SEO-16050 for Seoul Modular Passive LED Cooler Φ 160mm

Features VS Benefits

- * The SimpoleD-SEO-16050 Seoul Modular Passive LED Coolers are specifically designed for luminaires using the Seoul LED engines.
- * Mechanical compatibility with direct mounting of the LED engines to the LED cooler and thermal performance matching the lumen packages.
- * For spotlight and downlight designs from 2700 to 9000 lumen.
- * Thermal resistance range R_{th} 0.68°C/W.
- * Modular design with mounting holes foreseen for direct mounting of Seoul ZC12 Series, ZC18 Series, ZC25 Series, ZC40 Series, ZC60 Series and ZC100 Series COB engines.
- * Diameter 160mm - standard height 50mm Other heights on request.
- * Extruded from highly conductive aluminum.

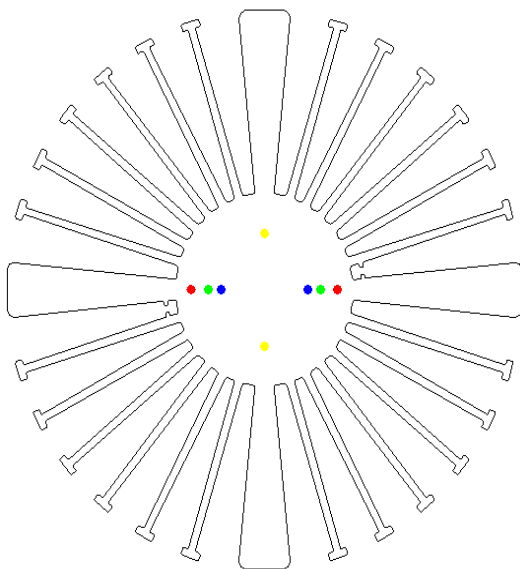


Seoul LED engine and radiator assembly directly Mounting Options

- * Below you find an overview of Seoul COB's which standard fit on the SimpoLED coolers.
- * In this way mechanical after work and related costs can be avoided, and lighting designers can standardize their designs on a limited number of LED coolers.



SEOUL SEMICONDUCTOR



Seoul COB engines Mounting Options

ZC 12 Series COB Modules:

SDW02F1C; SDW82F1C; SDW92F1C;

ZC 18 Series COB Modules:

SDW03F1C; SDW83F1C; SDW93F1C;

Zhaga Book3 Holes ,
 BJB Semiconductor Spotlight connector 47.319.2021.50
 TE Connectivity Lumawise type Z502213254-1
 TE Connectivity Lumawise type Z502213254-2

Green indicator marks;
 Mounting with 2 screws M3x8mm.

Blue indicator marks;
 Direct mounting with 2 screws M3x6mm.

ZC 25 Series LED Modules name:

SDW04F1C; SDW84F1C; SDW94F1C;

ZC 40 Series LED Modules name:

SDW05F1C; SDW85F1C; SDW95F1C;

ZC 60 Series LED Modules name:

SDW06F1C; SDW86F1C;

Green indicator marks:
 Zhaga Book3 BJB Holder:47.319.2030.50
 Mounting with machine screws M3x8mm ;
 Yellow indicator marks ;
 Direct mounting machine screws M3x6mm ;

ZC 100 Series LED Modules name:

SDW07F1C; SDW87F1C;

Red indicator marks ;
 Direct mounting machine screws M3x6mm ;

SimpoleD

SimpoleD-SEO-16050 for Seoul Modular Passive LED Cooler Φ 160mm

Mounting Options and Drawings & Dimensions

Example: SimpoleD-SEO-16050-B-3

Example: SimpoleD-SEO-160 **1** - **2** - **3**

1 Height (mm)

2 Anodising Color

B-Black

C-Clear

Z-Custom

3 Mounting Options - see graphics for details Combinations available

Ex.order code - 12

means option 1 and 2 combined

Notes:

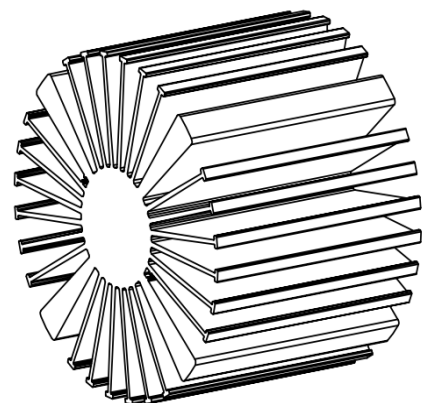
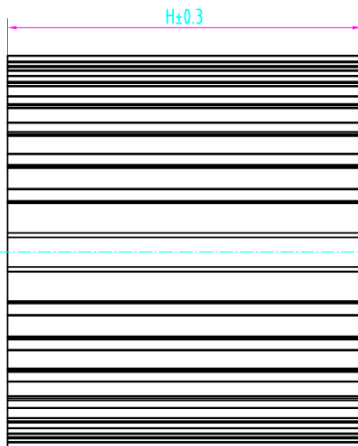
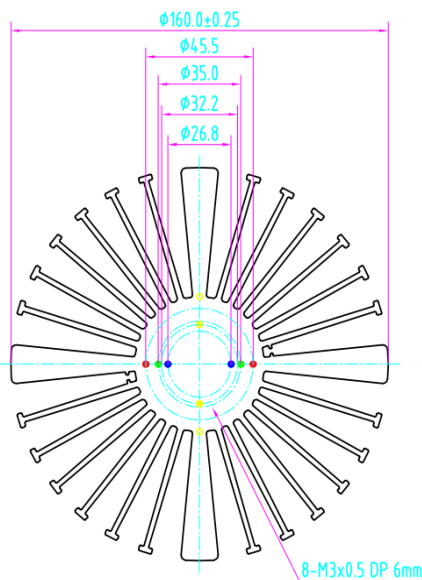
- Mentioned models are an extraction of full product range.
- For specific mechanical adaptations please contact MingfaTech.
- MingfaTech reserves the right to change products or specifications without prior notice.



SEOUL SEMICONDUCTOR



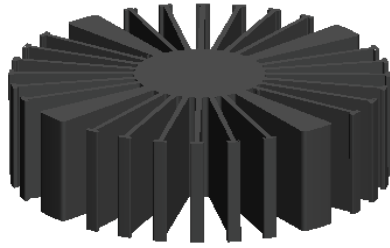
MOUNTING OPTION	Module type	Holder NO.	THREAD	THREAD DEPTH	THREAD HOLE DISTANCE
1	ZC12 Series ZC18 Series	/	M3	6mm	26.8mm/ 2-@180°
2	ZC25 Series ZC40 Series ZC60 Series	/	M3	6mm	32.2mm/ 2-@180°
3	ZC12 Series ZC18 Series	BJB:47.319.2040.50	M3	6mm	35mm/ 2-@180° Zhaga Book3
	ZC25 Series ZC40 Series ZC60 Series	BJB: 47.319.2030.50	M3	6mm	
4	ZC100 Series	/	M3	6mm	45.5mm/ 2-@180°



SimpLED

SimpLED-SEO-16050 for Seoul Modular Passive LED Cooler Φ 160mm

The thermal data table

	 <i>SimpLED-16050</i>
Model No.	SimpLED-SEO-16050
Size	Φ160xH50mm
Material	AL6063-T5
Finish	Black Anodized
Weight(g)	1052.0
Thermal Wattage	71.3W
HeatsinkΘs-a²	179161
Heat Sink T_{Rise} Above Ambient	0.68

Dissipated Power Pd(W)	Pd = Pe x (1- η L)	Heat sink to ambient thermal resistance Rhs-amb ($^{\circ}$ C/W)	Heat sink to ambient temperature rise Ths-amb ($^{\circ}$ C)
		SimpLED-SEO-16050	SimpLED-SEO-16050
15.0		0.92	13.8
30.0		0.83	24.9
45.0		0.78	35.1
60.0		0.70	42.0
75.0		0.65	48.8
90.0		0.60	54.0
100.0		0.55	55.0

