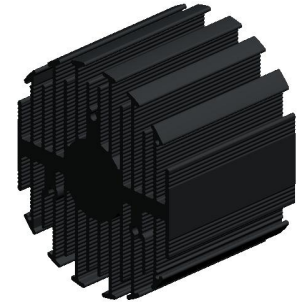


eLED

eLED-LUN-7050 Luminus Modular Passive Star LED Heat Sink  $\Phi$ 70mm

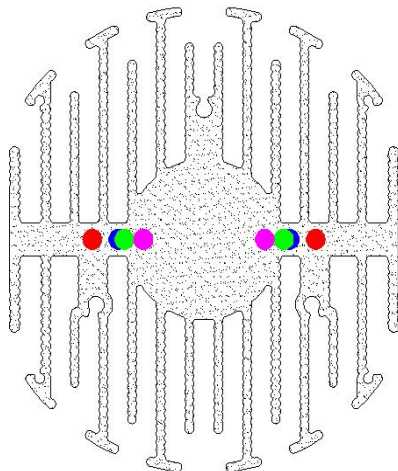
**Features VS Benefits**

- \* The eLED-LUN-7050 Luminus Modular Passive LED Heat Sinks are specifically designed for luminaires using the Luminus LED engines.
- \* Mechanical compatibility with direct mounting of the LED engines to the LED cooler and thermal performance matching the lumen packages.
- \* For spotlight and downlight designs from 1000 to 2600 lumen.
- \* Thermal resistance range  $R_{th}$  2.18°C/W.
- \* Modular design with mounting holes foreseen for direct mounting of Luminus COB LED engines.
- \* Diameter 70mm - standard height 50mm Other heights on request.
- \* Extruded from highly conductive aluminum.



**Zhaga LED engine and radiator assembly is a unified future international standardization**

- \* Below you find an overview of Luminus COB's and LED modules which standard fit on the Star LED Heat Sinks.
- \* In this way mechanical after work and related costs can be avoided, and lighting designers can standardize their designs on a limited number of Star LED Heat Sinks.



**Luminus LED engines Mounting Options**

**CHM-9 COB Arrays LED Modules names:**

- CHM-9-27-XX-36-AC00-XX-X;
- CHM-9-30-XX-36-AC00-XX-X;
- CHM-9-35-XX-36-AC00-XX-X;
- CHM-9-40-XX-36-AC00-XX-X;
- CHM-9-50-XX-36-AC00-XX-X;
- CHM-9-65-XX-36-AC00-XX-X;

With Zhaga Book 11 for green indicator marks:

- BJB Holder:47.319.6060.50;
- AAG.STUCCHI holder:8100-G2;
- Mounting with machine screws M3x8mm;
- Without LED holders for pink indicator marks.
- Direct mounting with machine screws M3x6mm;

**CXM-14 COB Arrays LED Modules names:**

- CXM-14-27-XX-36-AC00-XX-X;
- CXM-14-30-XX-36-AC00-XX-X;
- CXM-14-35-XX-36-AC00-XX-X;
- CXM-14-40-XX-36-AC00-XX-X;
- CXM-14-50-XX-36-AC00-XX-X;
- CXM-14-65-XX-36-AC00-XX-X;

**CHM-14 COB Arrays LED Modules names:**

- CHM-14-27-XX-36-AC00-XX-X;
- CHM-14-30-XX-36-AC00-XX-X;
- CHM-14-35-XX-36-AC00-XX-X;
- CHM-14-40-XX-36-AC00-XX-X;
- CHM-14-50-XX-36-AC00-XX-X;
- CHM-14-65-XX-36-AC00-XX-X;

With Zhaga Book 3 for red indicator marks:

- BJB Holder:47.319.2021.50;
- AAG.STUCCHI holder:8101-G2;
- Mounting with machine screws M3x8mm;
- Without LED holders for blue indicator marks.
- Direct mounting with machine screws M3x6mm;

eLED

eLED-LUN-7050 Luminus Modular Passive Star LED Heat Sink  $\Phi$ 70mm

Mounting Options and Drawings & Dimensions

Example:eLED-LUN-7050-B-3

Example:eLED-LUN-7050-1-2-3

- 1** Height (mm)
- 2** Anodising Color  
B-Black  
C-Clear  
Z-Custom
- 3** Mounting options;  
On request;  
Mounting holes, cable holes;  
Screw thread, thermal interface pad.

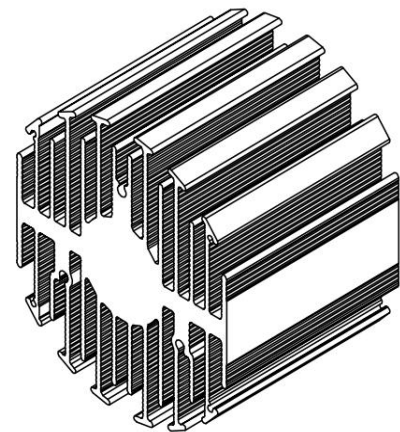
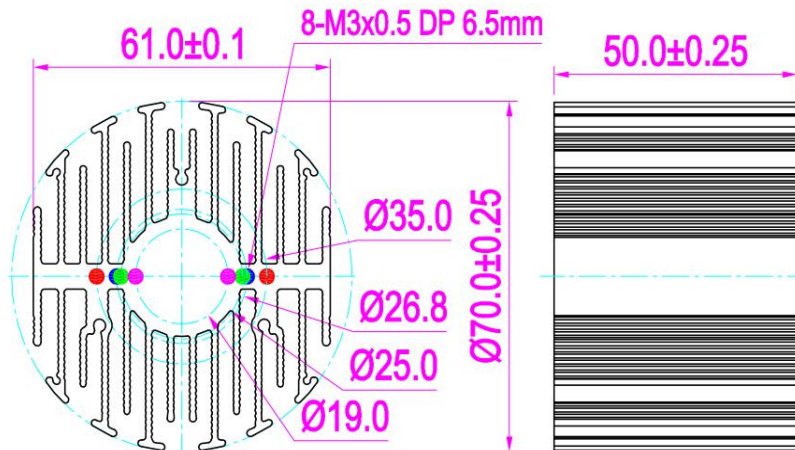
Notes:

- Mentioned models are an extraction of full product range.
- For specific mechanical adaptations please contact MingfaTech.
- 
- MingfaTech reserves the right to change products or specifications without prior notice.

Note : option 1 and option 2,option 2 and option 3 can not be combined



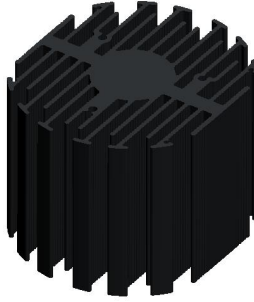
MOUNTING OPTION	Module type	Holder NO.	THREAD	THREAD DEPTH	THREAD HOLE DISTANCE
1		/	M3	6.5mm	19.0mm/ 2-@180°
2	CLM-9 CXM-9 CHM-9	AAG.STUCCHI 8100-G2	M3	6.5mm	25.0mm/ 2-@180°
		BJB 47.313.6060.50			
3		/	M3	6.5mm	26.8mm/ 2-@180°
4	CXM-14 CHM-14	AAG.STUCCHI 8101-G2	M3	6.5mm	35.0mm/ 2-@180°
		BJB 47.313.2021.50			



eLED

eLED-LUN-7050 Luminus Modular Passive Star LED Heat Sink  $\Phi$ 70mm

The thermal data table

	 <i>eLED-7050</i>
<b>Model No.</b>	<b>eLED-LUN-7050</b>
<b>Size</b>	<b><math>\Phi</math>70xH50mm</b>
<b>Material</b>	<b>AL6063-T5</b>
<b>Finish</b>	<b>Black Anodized</b>
<b>Weight(g)</b>	<b>206.0</b>
<b>Thermal Wattage</b>	<b>22.9W</b>
<b>Heatsink<math>\Theta</math>s-a<sup>2</sup></b>	<b>73369</b>
<b>Heat Sink T Rise Above Ambient</b>	<b>2.18</b>

Dissipated Power Pd(W)	Heat sink to ambient thermal resistance Rhs-amb (°C/W)	
	eLED-LUN-7050	
5	3.40	17
10	2.80	28
15	2.70	37
20	2.25	45
25	2.16	54

