



for

LED



**EtraLED**

**EtraLED -VOS-7050 Vossloh-Schwabe Modular Passive tar LED Heat Sink  $\Phi$ 70mm**

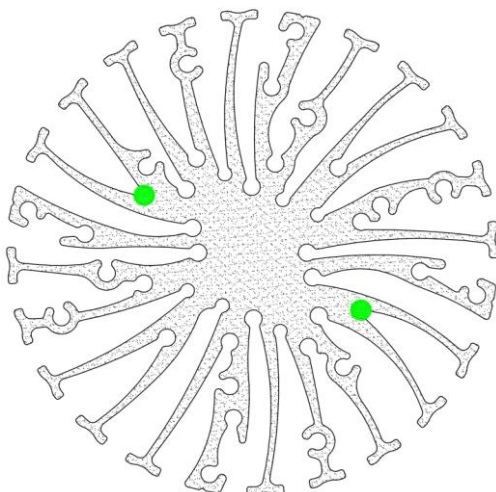
**Features VS Benefits**

- \* The EtraLED-VOS-7050 Vossloh-Schwabe Modular Passive LED Coolers are specifically designed for luminaires using the Vossloh-Schwabe LED engines.
- \* Mechanical compatibility with direct mounting of the LED engines to the LED cooler and thermal performance matching the lumen packages.
- \* For spotlight and downlight designs from 800 to 2800 lumen.
- \* Thermal resistance range  $R_{th}$  2.2°C/W.
- \* Modular design with mounting holes foreseen for direct mounting of Vossloh-Schwabe LUGA Shop LED engines.
- \* Diameter 70mm - standard height 50mm Other heights on request.
- \* Extruded from highly conductive aluminum.



**Zhaga LED engine and radiator assembly is a unified future international standardization**

- \* Below you find an overview of Vossloh-Schwabe engines COB's and LED modules which standard fit on the EtraLED coolers.
- \* In this way mechanical after work and related costs can be avoided, and lighting designers can standardize their designs on a limited number of LED coolers.



**Vossloh-Schwabe LED engines Mounting Options**

For the LUGA Shop 2014 Module.

WU-M-484-827;	WU-M-484-840;	WU-M-485-835;	WU-M-486-830;
WU-M-484-830;	WU-M-485-827;	WU-M-485-840;	WU-M-486-835;
WU-M-484-835;	WU-M-485-830;	WU-M-486-827;	WU-M-486-840;

For the LUGA Shop 2014 PW Module.

WU-M-484-831-PW;	WU-M-485-831-PW;	WU-M-486-831-PW;
------------------	------------------	------------------

For the LUGA Shop 2014 HiCRI LED Module.

WU-M-484-927;	WU-M-484-940;	WU-M-485-935;	WU-M-486-930;
WU-M-484-930;	WU-M-485-927;	WU-M-485-940;	WU-M-486-935;
WU-M-484-935;	WU-M-485-930;	WU-M-486-927;	WU-M-486-940;

For the LUGA Shop 2014 PW Module.

WU-M-484-931-PW;	WU-M-485-931-PW;	WU-M-486-931-PW;
------------------	------------------	------------------

For the LUGA Shop 2014 PCB LED engines and the holder.

DMS088C27E1;	DMS088C40E1;	DMS158C35E1;	DMS128C30E1;
DMS088C30E1;	DMS158C27E1;	DMS158C40E1;	DMS128C35E1;
DMS088C35E1;	DMS158C30E1;	DMS128C27E1;	DMS128C40E1;

For the LUGA Shop 2014 PCB PW LED engines and the holder.

DMS088C31EP1;	DMS128C31EP1;	DMS158C31EP1;
---------------	---------------	---------------

For the LUGA Shop 2014 PCB HiCRI LED engines and the holder.

DMS088D27E1;	DMS088D40E1;	DMS158D35E1;	DMS128D30E1;
DMS088D30E1;	DMS158D27E1;	DMS158D40E1;	DMS128D35E1;
DMS088D35E1;	DMS158D30E1;	DMS128D27E1;	DMS128D40E1;

For the LUGA Shop 2014 PCB PW LED engines and the holder.

DMS088D31EP1;	DMS128D31EP1;	DMS158D31EP1;
---------------	---------------	---------------

For the LUGA C 2015 LED engines.

(AAG-STUCCHI holder:8101-G2); (BJB holder:47.319.2021.50);

DMC104Cxxx;	DMC115Cxxx;	DMC118Cxxx;
-------------	-------------	-------------

Zhaga Book3 Green indicator marks:  
Mounting with machine screws M3x6mm;

Please refer to the "www.vossloh-schwabe.com" data provided on the manual.

Tel:+86-769-39023131  
E-fax:+86-(020)28819702 ext:22122  
Email:sales@mingfatech.com  
Http://www.heatsinkled.com  
Http://www.mingfatech.com





for

LED



**EtraLED**

EtraLED -VOS-7050 Vossloh-Schwabe Modular Passive tar LED Heat Sink  $\Phi$ 70mm

**Mounting Options and Drawings & Dimensions**

Example:EtraLED-VOS-7050-B-3

Example:EtraLED-VOS-70 **1** - **2** - **3**

**1** Height (mm)

**2** Anodising Color

B-Black

C-Clear

Z-Custom

**3** Mounting Options - see graphics for details Combinations available

Ex.order code - 12

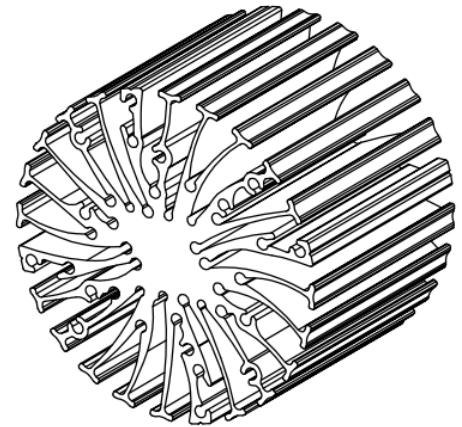
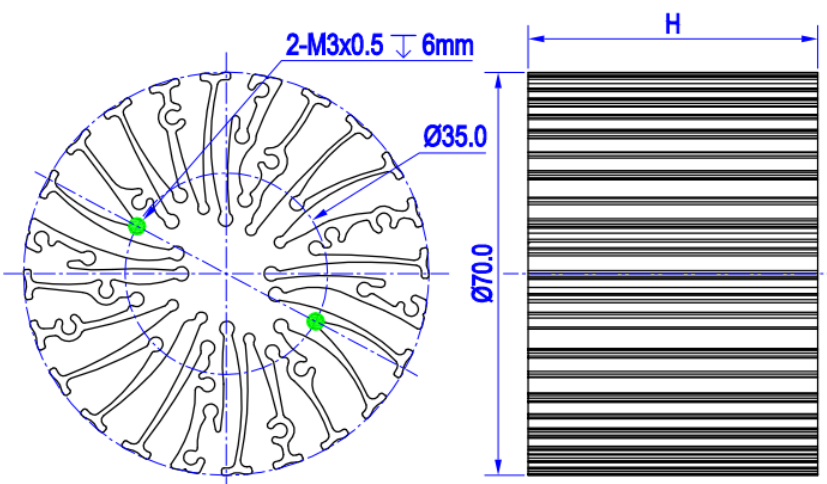
means option 1 and 2 combined

**Notes:**

- Mentioned models are an extraction of full product range.
- For specific mechanical adaptations please contact MingfaTech.
- MingfaTech reserves the right to change products or specifications without prior notice.



MOUNTING OPTION	Module type	Holder NO.	THREAD	THREAD DEPTH	THREAD HOLE DISTANCE
1	LUGA C	BJB (47.319.2021.50)	M3	6mm	35.0mm/ 2-@180°
		AAG.STUCCHI (8101-G2)			
	LUGA Shop 2014 PCB	Vossloh-Schwabe			
	LUGA Shop 2014	/			



Tel:+86-769-39023131  
 E-fax:+86-(020)28819702 ext:22122  
 Email:sales@mingfatech.com  
 Http://www.heatsinkled.com  
 Http://www.mingfatech.com



for

LED

*EtraLED*

EtraLED -VOS-7050 Vossloh-Schwabe Modular Passive tar LED Heat Sink  $\Phi$ 70mm

The thermal data table

	
	<i>EtraLED-7050</i>
<b>Model No.</b>	EtraLED-VOS-7050
<b>Size</b>	$\Phi$ 70xH50mm
<b>Material</b>	AL6063-T5
<b>Finish</b>	Black Anodized
<b>Weight(gr)</b>	192.0
<b>Thermal Wattage</b>	22.9W
<b>HeatsinkOs-a<sup>2</sup></b>	79093
<b>Heat Sink T<sub>Rise</sub> Above Ambient</b>	2.20

Dissipated Power Pd(W)	Pd = Pe x (1-ηL)	
	Heat sink to ambient thermal resistance Rhs-amb (°C/W)	Heat sink to ambient temperature rise Ths-amb (°C)
	EtraLED-VOS-7050	EtraLED-VOS-7050
5	3.1	16
10	2.7	27
15	2.4	36
20	2.3	46
25	2.2	53

