



for

LED

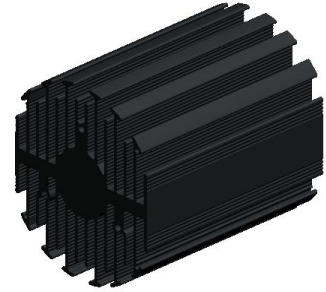


eLED

eLED-ADU-7080 Adura Modular Passive Star LED Heat Sink ϕ 70mm

Features VS Benefits

- * The eLED-ADU-7080 Adura Modular Passive Star LED Heat Sinks are specifically designed for luminaires using the Adura LED engines.
- * Mechanical compatibility with direct mounting of the LED engines to the LED cooler and thermal performance matching the lumen packages.
- * For spotlight and downlight designs from 1200 to 3000 lumen.
- * Thermal resistance range R_{th} 1.77°C/W.
- * Modular design with mounting holes foreseen for direct mounting of Adura LOB series engines.
- * Diameter 70mm - standard height 80mm Other heights on request.
- * Extruded from highly conductive aluminum.

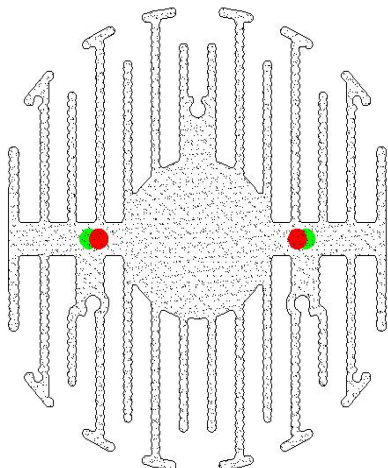
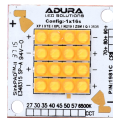


Zhaga LED engine and radiator assembly is a unified future international standardization

- * Below you find an overview of Adura LED modules which standard fit on the Star LED Heat Sinks.
- * In this way mechanical after work and related costs can be avoided, and lighting designers can standardize their designs on a limited number of Star LED Heat Sinks.



ADURA
LED SOLUTIONS



Adura LED Modules directly Mounting Options

LOB 1979C-A/1980C LED engines.

- LOB-150026D-0093535-xxx-1x9C;
- LOB-45009D-0093535-xxx-3x3C;

With Zhaga Book 3 LED holder

- BJB holder: 47.313.2131.50;
- Ideal Holde: 50-2103CT
- Green indicator marks.
- Mounting with machine screws M3x6.5mm;

LOB 1981C-A/1982C LED engines.

- LOB-150046D-0163535-xxx-1x16;
- LOB-300024D-0163535-xxx-2x8C;

With Zhaga Book 3 LED holder

- BJB holder: 47.313.2030.50;
- Ideal Holde: 50 - 2204 CT
- Green indicator marks.
- Mounting with machine screws M3x6.5mm;
- Without LED holders for red indicator marks.
- Direct mounting with machine screws M3x6.5mm;

Tel:+86-769-39023131

E-fax:+86-(020)28819702 ext:22122

Email:sales@mingfatech.com

Http://www.heatsinkled.com

Http://www.mingfatech.com





LED



eLED

eLED-ADU-7080 Adura Modular Passive Star LED Heat Sink Φ 70mm

Mounting Options and Drawings & Dimensions

Example: eLED-ADU-7080-B-1,2

Example: eLED-ADU-7080-**1** - **2** - **3**

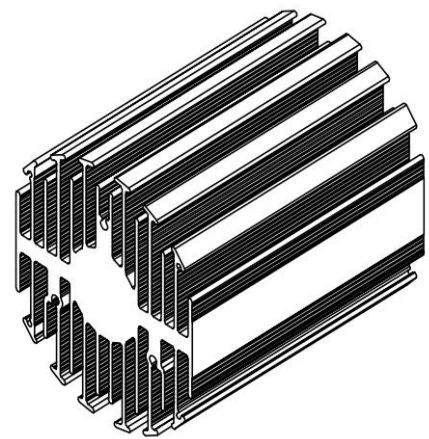
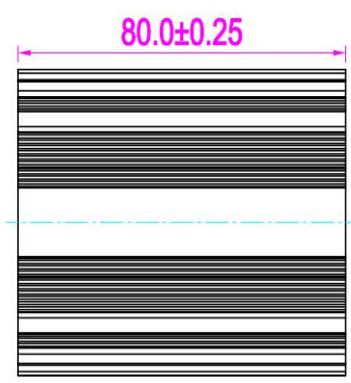
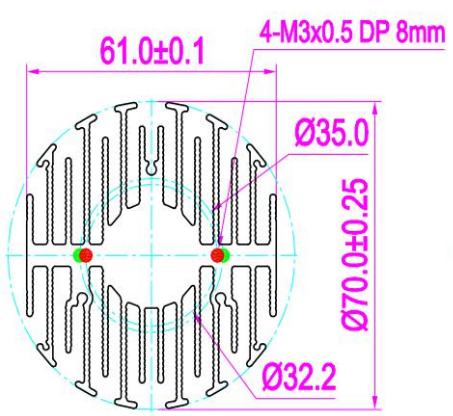
- 1** Height (mm)
- 2** Anodising Color
B-Black
C-Clear
Z-Custom
- 3** Mounting Options - see graphics for details Combinations available
Ex.order code - 12
means option 1 and 2 combined



Notes:

- Mentioned models are an extraction of full product range.
 - For specific mechanical adaptations please contact MingfaTech.
 - MingfaTech reserves the right to change products or specifications without prior notice.
- Note : option 1 and option 2 can not be combined

MOUNTING OPTION	Module type	Holder NO.	THREAD	THREAD DEPTH	THREAD HOLE DISTANCE
1	1981C-A; 1982C-A;	/	M3	6.5mm	32.2mm/ 2-@180°
2	1979C-A; 1980C-A;	Ideal Holde 50-2103CT	M3	6.5mm	35.0mm/ 2-@180°
		BJB 47.313.2131.50			
	1981C-A; 1982C-A;	Ideal Holde 50-2204CT			
		BJB 47.313.2030.50			



Tel:+86-769-39023131
 E-fax:+86-(020)28819702 ext:22122
 Email:sales@mingfatech.com
 Http://www.heatsinkled.com
 Http://www.mingfatech.com



for

LED

eLED

eLED-ADU-7080 Adura Modular Passive Star LED Heat Sink Φ 70mm

The thermal data table

	 <i>eLED-7080</i>
Model No.	eLED-ADU-7080
Size	Φ 70xH80mm
Material	AL6063-T5
Finish	Black Anodized
Weight(gr)	329
Thermal Wattage	28.2W
HeatsinkΘs-a²	115563
Heat Sink T Rise Above Ambient	1.77

Dissipated Power Pd(W)	Pd = Pe x (1- η L)	
	Heat sink to ambient thermal resistance Rhs-amb ($^{\circ}$ C/W)	Heat sink to ambient temperature rise T _{hs-amb} ($^{\circ}$ C)
	eLED-ADU-7080	
6	2.5	15
12	2.2	26
18	1.9	34
24	1.8	43
30	1.7	51

