



for

LED

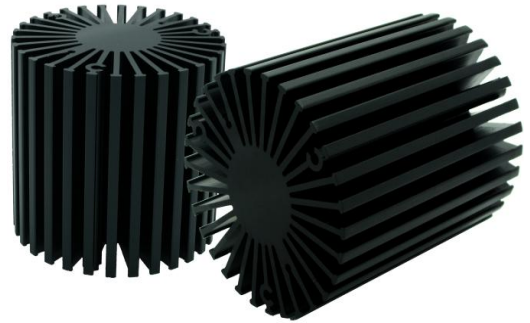


*SimpoleD*

**SimpoleD-LUM-5850 for LumiLEDs Modular Passive LED Cooler  $\Phi$ 58mm**

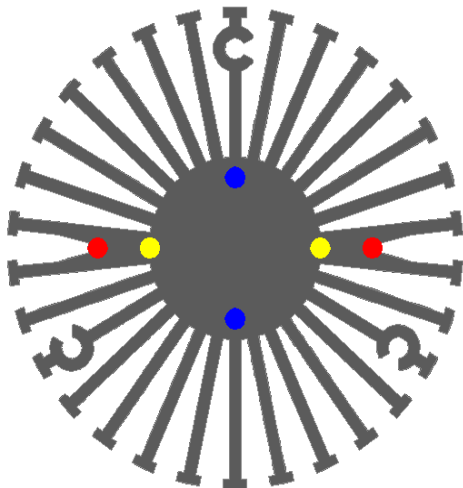
**Features VS Benefits**

- \* The SimpoleD-LUM-5850 LumiLEDs Modular Passive LED Coolers are specifically designed for luminaires using the LumiLEDs LED engines.
- \* Mechanical compatibility with direct mounting of the LED engines to the LED cooler and thermal performance matching the lumen packages.
- \* For spotlight and downlight designs from 400 to 1500 lumen.
- \* Thermal resistance range  $R_{th}$  3.7°C/W.
- \* Modular design with mounting holes foreseen for direct mounting of LUMILEDS Luxeon K and LuxeonCOB engines.
- \* Diameter 58mm - standard height 50mm Other heights on request.
- \* Extruded from highly conductive aluminum.



**Zhaga LED engine and radiator assembly is a unified future international standardization**

- \* Below you find an overview of LumiLEDs engines COB's and LED modules which standard fit on the SimpoleD coolers.
- \* In this way mechanical after work and related costs can be avoided, and lighting designers can standardize their designs on a limited number of LED coolers.



**LUMILEDS LED Modules Mounting Options**

**LumiLEDs LuxeonCOB LED engines.**

- LHC1-xxxx-1202;
- LHC1-xxxx-1203;

Zhaga Book3 Red indicator marks;  
TE Zhaga holder:Z50 2213382-2;  
Mounting with machine screws M3x8mm;

**LumiLEDs Luxeon K 3-UP/4-UP LED engines.**

- LXK8-PWxx-0403;
- LXK8-PWxx-0004;
- LXK9-PWxx-0004;

Direct mounting with machine screws M3x6mm;  
Blue indicator marks.

**LumiLEDs Luxeon K 6-UP/8-UP LED engines.**

- LXK8-PWxx-0206;
- LXK8-PWxx-0008;

Direct mounting with machine screws M3x6mm;  
Yellow indicator marks.



for

LED



*SimpoleD*

SimpoleD-LUM-5850 for LumiLEDs Modular Passive LED Cooler  $\Phi$ 58mm

**Mounting Options and Drawings & Dimensions**

Example: SimpoleD-LUM-5850-B-3

Example: SimpoleD-LUM-58 **1** - **2** - **3**

**1** Height (mm)

**2** Anodising Color

B-Black

C-Clear

Z-Custom

**3** Mounting Options - see graLUMcs for details Combinations available

Ex.order code - 12

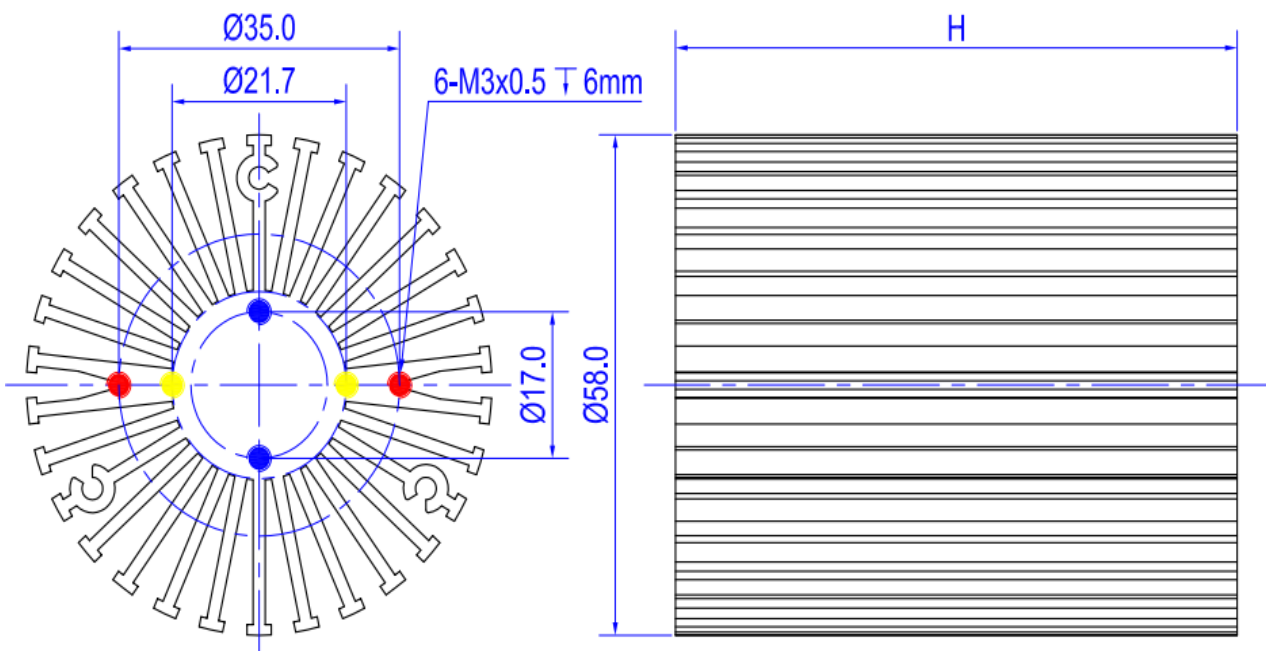
means option 1 and 2 combined

**Notes:**

- Mentioned models are an extraction of full product range.
- For specific mechanical adaptations please contact MingfaTech.
- MingfaTech reserves the right to change products or specifications without prior notice.



MOUNTING OPTION	Module type	Holder NO.	THREAD	THREAD DEPTH	THREAD HOLE DISTANCE
1	Luxeon K 3-UP Luxeon K 4-UP	/	M3	6mm	17.0mm/ @180°
2	Luxeon K 6-UP Luxeon K 8-UP	/	M3	6mm	21.7mm/ @180°
3	LuxeonCOB1202 LuxeonCOB1203	Type (Z50 2213382-2)	M3	8mm	35.0mm/ @180°



Tel:+86-769-39023131  
 E-fax:+86-(020)28819702 ext:22122  
 Email:sales@mingfatech.com  
 Http://www.heatsinkled.com  
 Http://www.mingfatech.com





for

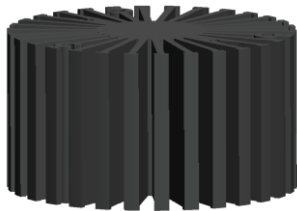
LED



*SimpoleD*

SimpoleD-LUM-5850 for LumiLEDs Modular Passive LED Cooler  $\Phi$ 58mm

The thermal data table

	 <i>SimpoleD-5850</i>
<b>Model No.</b>	<b>SimpoleD-LUM-5850</b>
<b>Size</b>	<b><math>\Phi</math>58xH50mm</b>
<b>Material</b>	<b>AL6063-T5</b>
<b>Finish</b>	<b>Black Anodized</b>
<b>Weight(g)</b>	<b>174.0</b>
<b>Thermal Wattage</b>	<b>12.2W</b>
<b>HeatsinkOs-a<sup>2</sup></b>	<b>65040</b>
<b>Heat Sink T Rise Above Ambient</b>	<b>3.7</b>

Dissipated Power Pd(W)	Pd = Pe x (1- $\eta$ L)	Heat sink to ambient thermal resistance Rhs-amb (°C/W)	Heat sink to ambient temperature rise Ths-amb (°C)
		SimpoleD-LUM-5850	SimpoleD-LUM-5850
3.0		4.8	14.5
6.0		4.2	25.0
9.0		3.8	34.5
12.0		3.7	43.0
15.0		3.4	51.0
18.0		3.2	58.0

