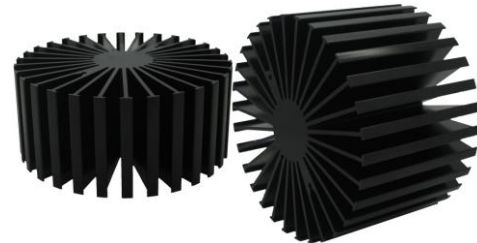


*SimpoleD*

**SimpoleD-SAM-11750 for Samsung Modular Passive LED Cooler  $\Phi$ 117mm**

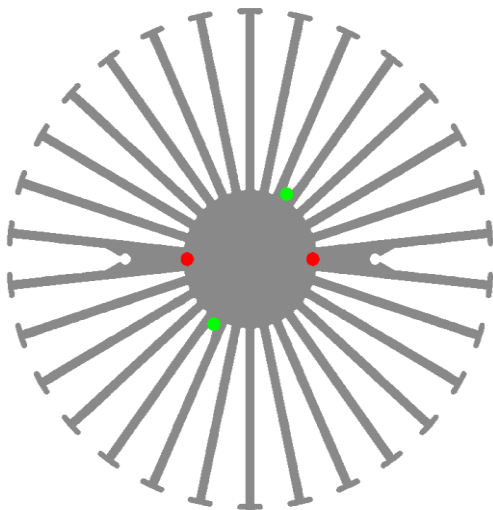
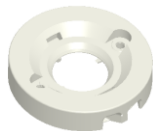
**Features VS Benefits**

- \* The SimpoLED-SAM-11750 Samsung Modular Passive LED Coolers are specifically designed for luminaires using the Samsung LED engines.
- \* Mechanical compatibility with direct mounting of the LED engines to the LED cooler and thermal performance matching the lumen packages.
- \* For spotlight and downlight designs from 2000 to 6200 lumen.
- \* Thermal resistance range Rth 0.97°C/W.
- \* Modular design with mounting holes foreseen for direct mounting of Samsung COB LED engines.
- \* Diameter 117mm - standard height 50mm Other heights on request.
- \* Extruded from highly conductive aluminum.



**Samsung LED engine and radiator assembly directly Mounting Options**

- \* Below you find an overview of Samsung COB's and LED modules which standard fit on the SimpoLED coolers.
- \* In this way mechanical after work and related costs can be avoided, and lighting designers can standardize their designs on a limited number of LED coolers.



**Samsung LED Modules Mounting indicator marks overview**

**For the LC026 B LED engines.**

- SPHWW1HDNC27YHW32F;
- SPHWW1HDNC27YHV32F;
- SPHWW1HDNC27YHU32F;
- SPHWW1HDNC27YHT32F;
- SPHWW1HDNC25YHW32F;
- SPHWW1HDNC25YHV32F;
- SPHWW1HDNC25YHU32F;
- SPHWW1HDNC25YHT32F;
- SPHCW1HDNC25YHRT3F;

**For the LC033 B LED engines.**

- SPHWW1HDND25YHW33P;
- SPHWW1HDND25YHV33P;
- SPHWW1HDND25YHU33P;
- SPHWW1HDND25YHT33P;
- SPHCW1HDND25YHRT3P;

**For the LC040 B LED engines.**

- SPHWW1HDNE25YHW34J;
- SPHWW1HDNE25YHV34J;
- SPHWW1HDNE25YHU34J;
- SPHWW1HDNE25YHT34J;
- SPHCW1HDNE25YHRT4J;

**NO`1:With Zhaga Book3 Holders:**

TE Connectivity:Z50 2213258-2;

Green indicator marks

Mounting with machine screws M3x6mm;

NO`2:Without holder:

Direct mounting with machine screws M3x6mm;

Red indicator marks.

*SimpoleD*

SimpoleD-SAM-11750 for Samsung Modular Passive LED Cooler  $\Phi$ 117mm

**Mounting Options and Drawings & Dimensions**

Example: SimpoleD-SAM-11750-B-3

Example: SimpoleD-SAM-117 1 - 2 - 3

1 Height (mm)

2 Anodising Color  
 B-Black  
 C-Clear  
 Z-Custom

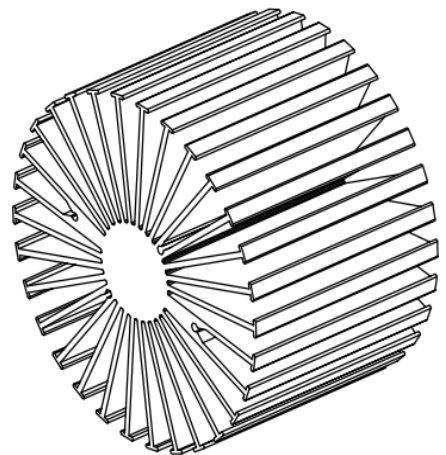
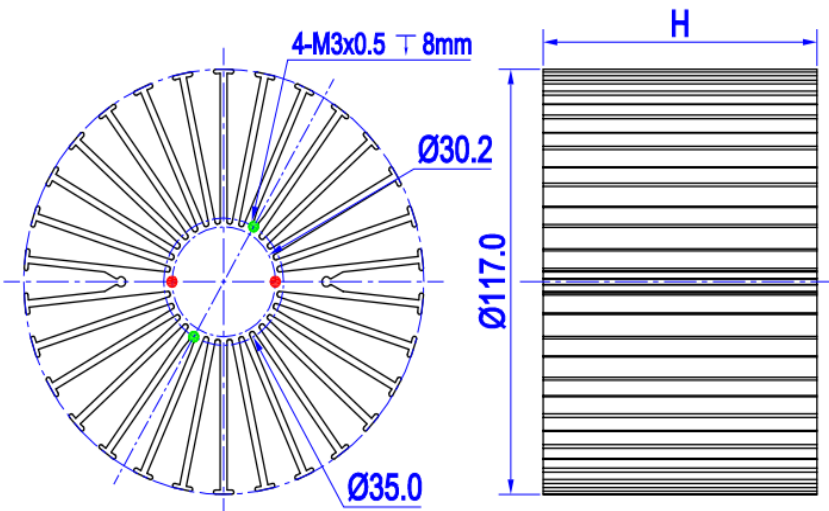
3 Mounting Options - see graphics for details Combinations available  
 Ex.order code - 12  
 means option 1 and 2 combined

Notes:

- Mentioned models are an extraction of full product range.
- For specific mechanical adaptations please contact MingfaTech.
- MingfaTech reserves the right to change products or specifications without prior notice.



| MOUNTING OPTION | Module type      | Holder NO.          | THREAD | THREAD DEPTH | THREAD HOLE DISTANCE |
|-----------------|------------------|---------------------|--------|--------------|----------------------|
| 1               | LC026B           | /                   | M3     | 6mm          | 30.2mm/ @2-180°      |
| 2               | LC033B<br>LC040B | Type<br>2-2154857-3 | M3     | 6mm          | 35.0mm/ @2-180°      |



*SimpoleD*

SimpoleD-SAM-11750 for Samsung Modular Passive LED Cooler  $\Phi$ 117mm

The thermal data table

|   |   |
|---|---|
|   | <br><i>SimpoleD-11750</i> |
| <b>Model No.</b>                                  | <b>SimpoleD-SAM-11750</b>   |
| <b>Size</b>                                       | <b><math>\Phi</math>117xH50mm</b>   |
| <b>Material</b>                                   | <b>AL6063-T5</b>  |
| <b>Finish</b>                                     | <b>Black Anodized</b>   |
| <b>Weight(gr)</b>                                 | <b>484.0</b>  |
| <b>Thermal Wattage</b>                            | <b>49.2W</b>  |
| <b>Heatsink<math>\Theta</math>s-a<sup>2</sup></b> | <b>147370</b>   |
| <b>Heat Sink T Rise Above Ambient</b>             | <b>0.97</b>   |

| Dissipated Power Pd(W) | Pd = Pe x (1- $\eta$ L) |      | Heat sink to ambient thermal resistance Rhs-amb (°C/W) | Heat sink to ambient temperature rise Ths-amb (°C) |      |      |      |
|------------------------|-------------------------|------|--|--|------|------|------|
|                        | 8.0                     | 16.0 | 24.0   | 32.0   | 40.0 | 48.0 | 56.0 |
|                        | 1.35                    | 1.30 | 1.25   | 1.15   | 1.10 | 0.97 | 0.88 |
|                        | 10.8                    | 20.8 | 30.0   | 36.8   | 44.0 | 46.6 | 49.3 |

