

SimpoleD

SimpoleD-TRI-160150 for Tridonic Modular Passive LED Cooler Φ 160mm

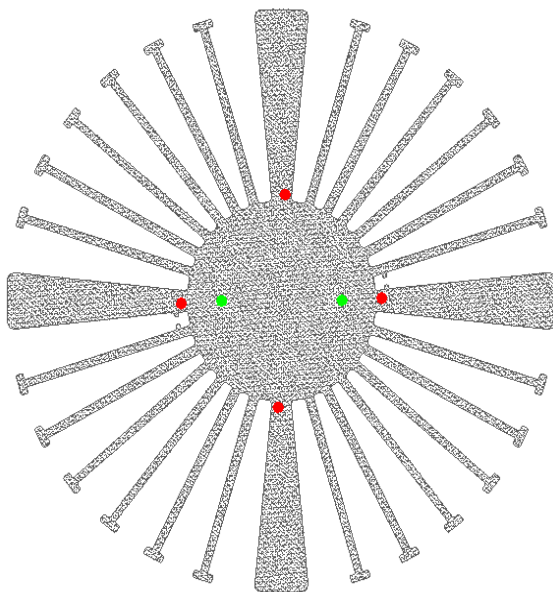
Features VS Benefits

- * The SimpoleD-TRI-160150 Tridonic Modular Passive LED Coolers are specifically designed for luminaires using the Tridonic LED engines.
- * Mechanical compatibility with direct mounting of the LED engines to the LED cooler and thermal performance matching the lumen packages.
- * For spotlight and downlight designs from 5200 to 13000 lumen.
- * Thermal resistance range R_{th} 0.42°C/W.
- * Modular design with mounting holes foreseen for direct mounting of Tridonic TALEXXmodule SLE modules engines.
- * Diameter 160mm - standard height 150mm Other heights on request.
- * Extruded from highly conductive aluminum.



Tridonic LED engine and radiator assembly is a unified future international standardization

- * Below you find an overview of Tridonic COB's which standard fit on the SimpoleD coolers.
- * In this way mechanical after work and related costs can be avoided, and lighting designers can standardize their designs on a limited number of LED coolers.



**Zhaga Book3 Spot Light LED engines
LED COB's for which Zhaga book3 LED Modules holders are available**

SLE G4 EXCITE LED Modules:

SLE 23mm 5000lm – Operating mode HO at 1,750 mA

SLE G4 ADVANCED LED Modules:

SLE 23mm 5000lm – Operating mode HO at 1,750 mA

STARK SLE GEN3 CLASSIC Modules:

STARK-SLE-23-4000 – Operating mode HO at 1,750 mA

STARK SLE GEN3 SELECT LED Modules:

STARK-SLE-23-4000 – Operating mode HO at 1,750 mA

STARK SLE GEN3 FASHION Modules:

STARK-SLE-23 – Operating mode HO at 1.750 mA

STARK SLE GEN3 ART Modules:

STARK-SLE-23 – Operating mode HO at 1.750 mA

STARK SLE GEN3 Food LED Modules:

STARK-SLE-23 – Operating mode HO at 1,750 mA

**Direct mounting with machine screws M3x6mm;
Green indicator marks.**



for

LED

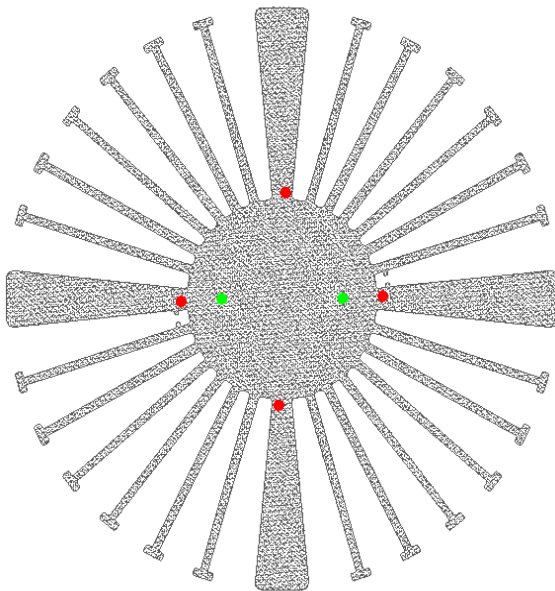


SimpLED

SimpLED-TRI-160150 for Tridonic Modular Passive LED Cooler Φ 160mm

TRIDONIC

enlightening your ideas



Tridonic LED Modules Mounting indicator marks overview

Tridonic FLE Modules name:

STARK-FLE-LES30 – Operating mode at 900 mA

STARK-FLE-G1-LES30-830-CLA

STARK-FLE-G1-LES30-840-CLA

STARK-FLE-G1-LES30-765-IND

STARK-FLE-LES30 – Operating mode at 1,400 mA

STARK-FLE-G1-LES30-830-CLA

STARK-FLE-G1-LES30-840-CLA

STARK-FLE-G1-LES30-765-IND

STARK-FLE-LES30 – Operating mode at 1,750 mA

STARK-FLE-G1-LES30-830-CLA

STARK-FLE-G1-LES30-840-CLA

STARK-FLE-G1-LES30-765-IND

STARK-FLE-LES40 – Operating mode at 1,750 mA

STARK-FLE-G1-LES40-830-CLA

STARK-FLE-G1-LES40-840-CLA

STARK-FLE-G1-LES40-765-IND

Direct mounting with machine screws M3x6mm;
Red indicator marks.

SimpoLED

SimpoLED-TRI-160150 for Tridonic Modular Passive LED Cooler Φ 160mm

Mounting Options and Drawings & Dimensions

Example: SimpoLED-TRI-160150-B-1

Example: SimpoLED-TRI-160 **1** - **2** **3**

- 1** Height (mm)
- 2** Anodising Color
 - B-Black
 - C-Clear
 - Z-Custom

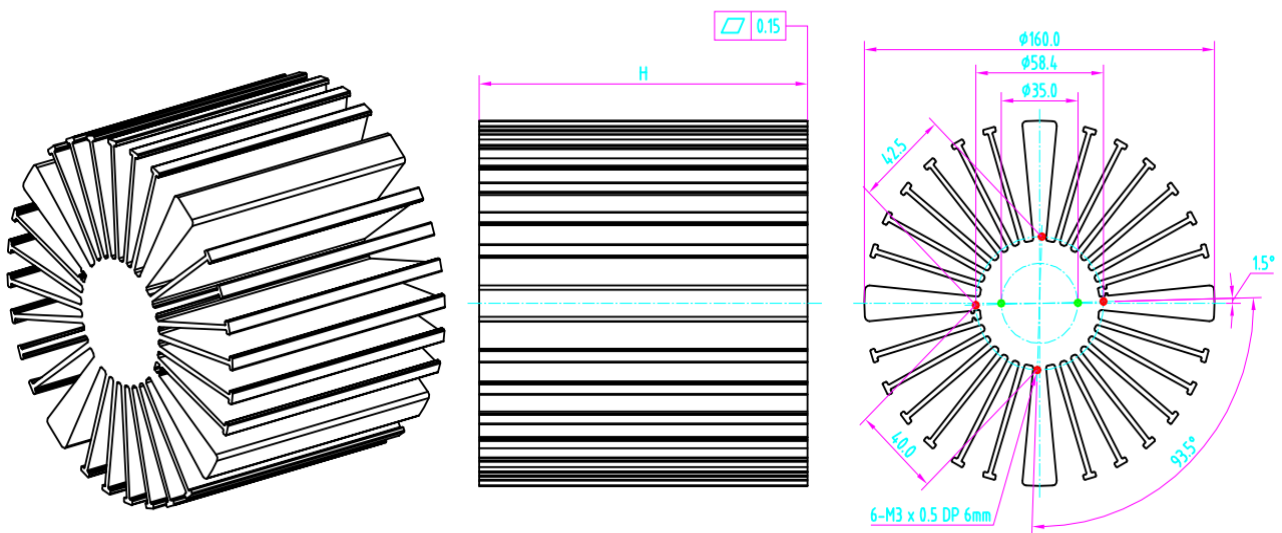
- 3** Mounting Options - see graphics for details Combinations available
- Ex.order code - 12
means option 1 and 2 combined



Notes:

- Mentioned models are an extraction of full product range.
- For specific mechanical adaptations please contact MingfaTech.
- MingfaTech reserves the right to change products or specifications without prior notice.

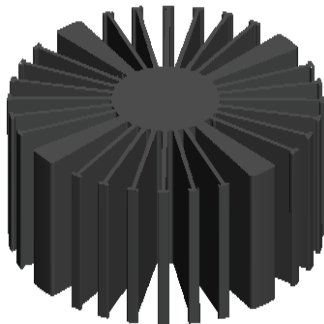
MOUNTING OPTION	Module type	Holder NO.	THREAD	THREAD DEPTH	THREAD HOLE DISTANCE
1	SLE G4 EXCITE; SLE G4 ESSENCE; SLE G4 ADVANCED; SLE G4 23mm R SNC; STARK SLE GEN3 SELECT; STARK SLE GEN3 CLASSIC EM; STARK SLE GEN3 CLASSIC; STARK SLE GEN3 Food; STARK SLE GEN3 ART; STARK SLE GEN3 FASHION;	/	M3	6mm	35.0mm/ 2-@180° (Zhaga Book3)
2	STARK FLE	/	M3	6mm	(2x42.5)x(2x40)



SimpoleD

SimpoleD-TRI-160150 for Tridonic Modular Passive LED Cooler Φ 160mm

The thermal data table

	
	<i>SimpoleD-160150</i>
Model No.	SimpoleD-TRI-160150
Size	Φ160xH150mm
Material	AL6063-T5
Finish	Black Anodized
Weight(g)	3155.0
Thermal Wattage	120.0W
HeatsinkΘs-a²	506323
Heat Sink T Rise Above Ambient	0.42

Dissipated Power Pd(W)	Pd = Pe x (1- η L)	Heat sink to ambient thermal resistance Rhs-amb ($^{\circ}$ C/W)	Heat sink to ambient temperature rise Ths-amb ($^{\circ}$ C)
		SimpoleD-TRI-160150	SimpoleD-TRI-160150
25		0.56	14.0
45		0.53	24.0
60		0.50	30.0
75		0.47	35.0
90		0.44	40.0
100		0.43	43.0
120		0.42	50.0

