



for

LED



HibayLED

HibayLED-CIT-230126

Citizen Modular vacuum phase-transition LED Heat Sink (Passive) Φ230mm

Features VS Benefits

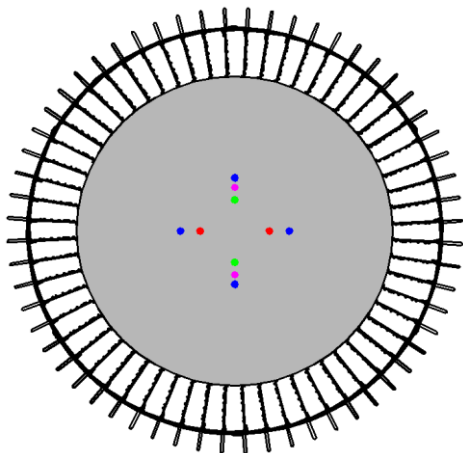
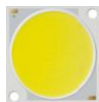
- *The HibayLED-CIT-230126 Citizen Modular vacuum phase-transition LED Heat Sinks (Passive) are specifically designed for luminaires using the Citizen LED engines.
- * Modular design with mounting holes foreseen for direct mounting of a wide range of LED modules and COB's.
- * For Highbay designs from 10000 to 18000 lumen.
- * Thermal resistance range Rth 0.34°C/W.
- * Modular design with mounting holes foreseen for direct mounting of CITIZEN CLL040~CLL042 CLU044,CLU046, CLL050~CLL052 and CLU054,CLU056 LED engines.
- * Diameter 230mm - standard height 126mm Other heights on request.



Unique Advantages

- * Integration of heat super conduction and heat dissipation.Reduce heat conduct resistance of heatsink to ZERO;
- * Low heat conduct temperaure difference, equivalent heatconductive ability 20 times better than copper;
- * More than 30% reduce of volume and weight than normal heatsinks;
- * Compared to normal extrusion heatsinks,Mingfa Tech's our vacuum phase-transition heatsinks can adapt higher power for the same size;
- * Compared to normal extrusion heatsinks,Mingfa Tech's vacuum phase-transition LED heatsinks are much smaller volume and lighter weight for the same power;
- * All aluminium,cost effective;

CITIZEN
Micro HumanTech



Citizen LED Modules directly Mounting Options

CLL040~042 and CLU044~CLU046 LED engines.

CLL040-1218A5-xxxxxx;	CLL042-1218A5-xxxxxx;
CLL040-1818A5-xxxxxx;	CLL042-1818A5-xxxxxx;
CLU044-1218B8-xxxxxx;	CLU046-1212C1-xxxxxx;
CLU044-1818B8-xxxxxx;	CLU046-1818C1-xxxxxx;

With Zhaga Book 3 LED holder

BJB holder:47.319.2030.50;

AAG.STUCCHI holder:8102-G2;

Red indicator marks.

Mounting with machine screws M3x8mm;

Without LED holders for gree indicator marks.

Direct mounting with machine screws M3x8mm;

Citizen CLL050~CLL052 and CLU054~CLU056 LED Modules

CLL050-1825A1-50xxxx ;	CLU054-1825B8-xxxxxx ;
CLL052-1825B1-40xxxx ;	CLU056-1825C1-xxxxxx ;
CLL052-1825B1-35xxxx ;	CLU056-3618C1-xxxxxx ;
CLL052-1825B1-30xxxx ;	
CLL052-1825B1-27xxxx ;	

With LED holder

BJB Spotlight connector 47.319.4160.50

Mounting with 4 screws M3 x 10mm

Blue indicator marks

Direct mounting with 2 screws M3 x 6mm

Pink indicator marks

Tel:+86-769-39023131

E-fax:+86-(020)28819702 ext:22122

Email:sales@mingfatech.com

Http://www.heatsinkled.com

Http://www.mingfatech.com



HibayLED

HibayLED-CIT-230126

Citizen Modular vacuum phase-transition LED Heat Sink (Passive) Φ 230mm

Mounting Options and Drawings & Dimensions

Example:HibayLED-CIT-2301126-B-1,2

Example:HibayLED-CIT-230126 **1** - **2** - **3**

1 Anodising Color

B-Black

C-Clear

Z-Custom

2 Mounting Options - see graphics for details Combinations available

Ex.order code - 12

means option 1 and 2 combined

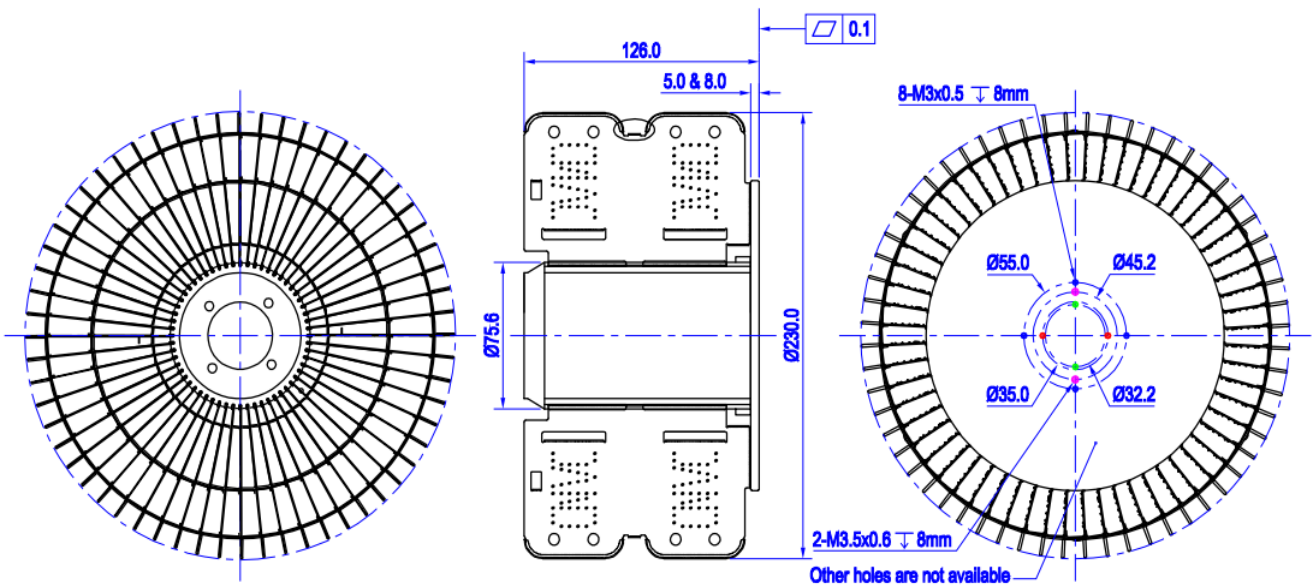
Notes:

- Mentioned models are an extraction of full product range.
- For specific mechanical adaptations please contact MingfaTech.
- MingfaTech reserves the right to change products or specifications without prior notice.



A. A. G. STUCCHI
Ideas are made of light

MOUNTING OPTION	Module type	Holder NO.	THREAD	THREAD DEPTH	THREAD HOLE DISTANCE
1	CLL040	/	M3	6mm	32.2mm/ 2-@180°
2	CLL042	AAG.STUCCHI			35.0mm/ 2-@180°
	CLU044	8102-G2			
3	CLU046	BJB			
	CLL050	47.313.2030.50			
4	CLL052	/	M3.5	6mm	45.2mm/ 2-@180°
	CLU054	BJB	M3	6mm	55mm/ 4-@90°
	CLU056	47.319.4160.50			



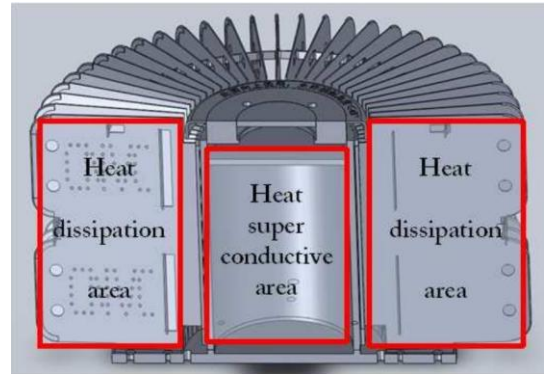
HibayLED

HibayLED-CIT-230126

Citizen Modular vacuum phase-transition LED Heat Sink (Passive) Φ 230mm

The thermal data table

	<p><i>HibayLED</i></p>
Model No.	HibayLED-CIT-230126
Size	Φ 230xH126mm
Material	AL1070
Finish	Clear Anodized
Weight(gr)	1590.0
Thermal Wattage	150.0W
HeatsinkOs-a ²	1361840
Heat Sink T _{Rise Above Ambient}	0.34



Heat sink to ambient temperature rise $T_{hs-amb}(^{\circ}C)$ $t_a=25^{\circ}C$

