



for

LED

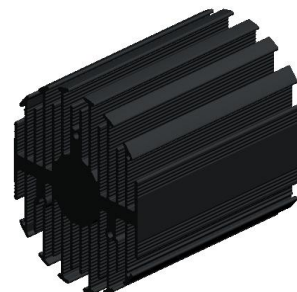


eLED

**eLED-XIT-7080 Pin Fin LED Heat Sink  $\Phi$ 70mm for Xicato**

**Features VS Benefits**

- \* The eLED-XIT-7080 Xicato Pin Fin LED Heat Sinks are specifically designed for luminaires using the Xicato LED engines.
- \* Mechanical compatibility with direct mounting of the LED engines to the LED cooler and thermal performance matching the lumen packages.
- \* For spotlight and downlight designs from 1200 to 3000 lumen.
- \* Thermal resistance range  $R_{th}$  1.77°C/W.
- \* The cooler design with mounting holes foreseen for direct mounting of Xicato XSM, XIM and XTM Modules .
- \* Diameter 70mm - standard height 80mm Other heights on request.
- \* Extruded from highly conductive aluminum.



**Zhaga LED engine and radiator assembly is a unified future international standardization**

- \* Below you find an overview of Xicato LED modules which standard fit on the Star LED Heat Sinks.
- \* In this way mechanical after work and related costs can be avoided, and lighting designers can standardize their designs on a limited number of Star LED Heat Sinks.

**XICATO**



**Xicato LED Modules directly Mounting Options**

**Xicato XSM LED modules name :**

- XSM8027-xxxx ; XSM9530-xxxx ;
- XSM8030-xxxx ; XSM9540-xxxx ;
- XSM8040-xxxx ; XSMV830-xxxx ;
- XSM9527-xxxx ;

Direct mounting with 3 screws M3 x 12mm;  
Green indicator marks.

**Xicato XIM LED modules name :**

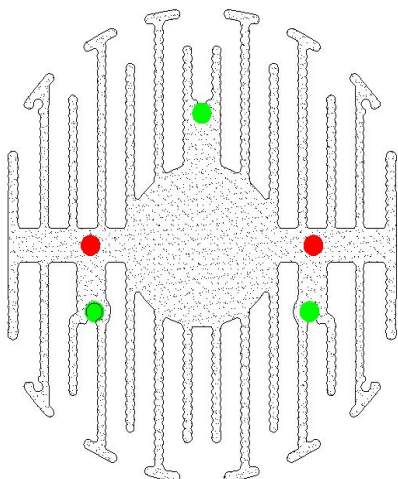
- XIM198027-xxx ; XIM198040-xxx ; XIM09-V9xxxxxx ;
- XIM198030-xxx ; XIM19V830-xxx ;
- XIM198035-xxx ; XIM0980 xxxxxx ;

Direct mounting with 3 screws M3 x 20mm;  
Green indicator marks.

**Xicato XTM LED modules:**

- XTM19-8027-xxx ; XTM19-8040-xxx ; XTM0995 xxxxxx ;
- XTM19-8030-xxx ; XTM19-V830-xxx ;
- XTM19-8035-xxx ; XTM09-V9xxxxxx ;

Direct mounting with 3 screws M3 x 10mm;  
Green indicator marks.  
Direct mounting by Zhaga mounting holes with 2 screws M3 x 10mm;  
Red indicator marks.



eLED

eLED-XIT-7080 Pin Fin LED Heat Sink  $\Phi$ 70mm for Xicato

Mounting Options and Drawings & Dimensions

Example:eLED-XIT-7080-B-1

Example:eLED-XIT-70 **1** - **2** - **3**

**1** Height (mm)

**2** Anodising Color  
 B-Black  
 C-Clear  
 Z-Custom

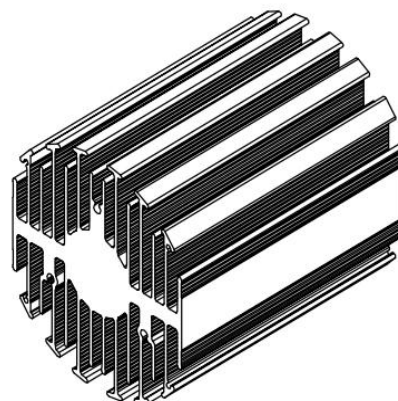
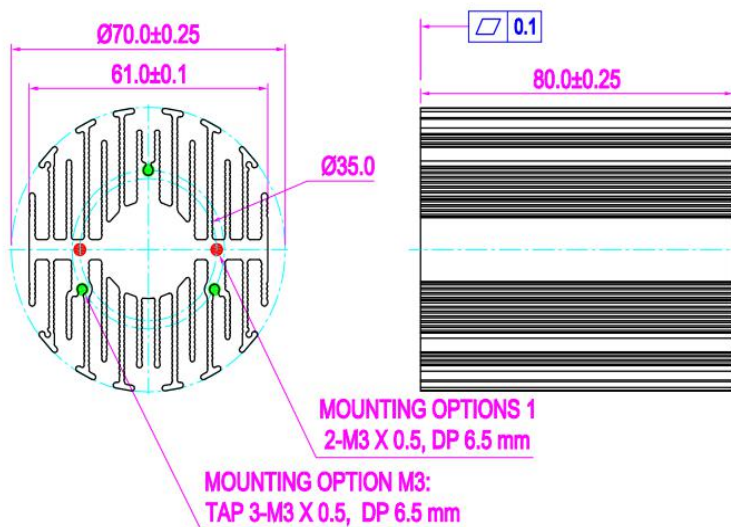
**3** Mounting Options - see graphics for details Combinations available  
 Ex.order code - 12  
 means option 1 and 2 combined



Notes:

- Mentioned models are an extraction of full product range.
- For specific mechanical adaptations please contact MingfaTech.
- MingfaTech reserves the right to change products or specifications without prior notice.

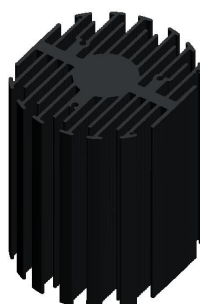
MOUNTING OPTION	PART NUMBER	THREAD	THREAD DEPTH
NONE	eLED-XIT-7080-#-N	NONE	NONE
1	eLED-XIT-7080-#-1	(2x)M3*0.5	5mm



eLED

eLED-XIT-7080 Pin Fin LED Heat Sink  $\Phi$ 70mm for Xicato

The thermal data table

	 <i>eLED-7080</i>
<b>Model No.</b>	<b>eLED-XIT-7080</b>
<b>Size</b>	<b><math>\Phi</math>70xH80mm</b>
<b>Material</b>	<b>AL6063-T5</b>
<b>Finish</b>	<b>Black Anodized</b>
<b>Weight(g)</b>	<b>329.0</b>
<b>Thermal Wattage</b>	<b>28.2W</b>
<b>HeatsinkOs-a<sup>2</sup></b>	<b>115563</b>
<b>Thermal Resistance (<math>^{\circ}</math>C/W)<sup>2</sup></b>	<b>1.77</b>

Dissipated Power Pd(W)	Pd = Pe x (1- $\eta$ L)	
	Heat sink to ambient thermal resistance Rhs-amb ( $^{\circ}$ C/W)	Heat sink to ambient temperature rise Ths-amb ( $^{\circ}$ C)
	eLED-XIT-7080	
6	2.5	15
12	2.2	26
18	1.9	34
24	1.8	43
30	1.7	51

