

## SimpoleD

### SimpoleD-TRI-160100 for Tridonic Modular Passive LED Cooler $\Phi$ 160mm

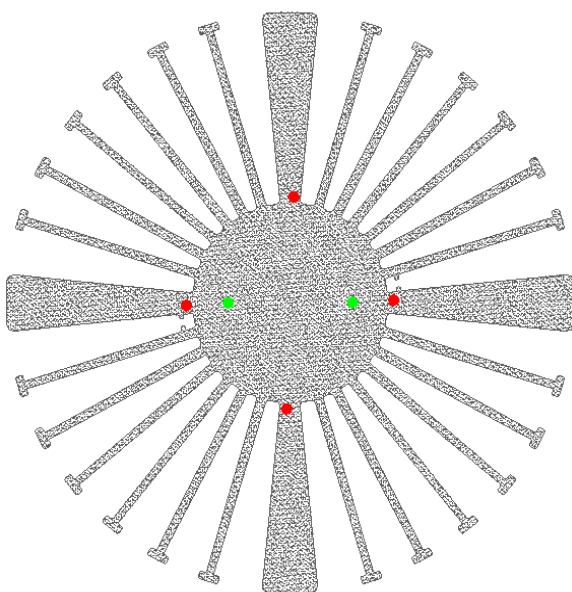
#### Features VS Benefits

- \* The SimpoleD-TRI-160100 Tridonic Modular Passive LED Coolers are specifically designed for luminaires using the Tridonic LED engines.
- \* Mechanical compatibility with direct mounting of the LED engines to the LED cooler and thermal performance matching the lumen packages.
- \* For spotlight and downlight designs from 4500 to 11500 lumen.
- \* Thermal resistance range  $R_{th}$  0.48°C/W.
- \* Modular design with mounting holes foreseen for direct mounting of Tridonic TALEXXmodule SLE modules engines.
- \* Diameter 160mm - standard height 100mm Other heights on request.
- \* Extruded from highly conductive aluminum.



Tridonic LED engine and radiator assembly is a unified future international standardization

- \* Below you find an overview of Tridonic COB's which standard fit on the SimpoleD coolers.
- \* In this way mechanical after work and related costs can be avoided, and lighting designers can standardize their designs on a limited number of LED coolers.



#### Zhaga Book3 Spot Light LED engines LED COB's for which Zhaga book3 LED Modules holders are available

##### SLE G4 EXCITE LED Modules:

SLE 23mm 5000lm – Operating mode HO at 1,750 mA

##### SLE G4 ADVANCED LED Modules:

SLE 23mm 5000lm – Operating mode HO at 1,750 mA

##### STARK SLE GEN3 CLASSIC Modules:

STARK-SLE-23-4000 – Operating mode HO at 1,750 mA

##### STARK SLE GEN3 SELECT LED Modules:

STARK-SLE-23-4000 – Operating mode HO at 1,750 mA

##### STARK SLE GEN3 FASHION Modules:

STARK-SLE-23 – Operating mode HO at 1.750 mA

##### STARK SLE GEN3 ART Modules:

STARK-SLE-23 – Operating mode HO at 1.750 mA

##### STARK SLE GEN3 Food LED Modules:

STARK-SLE-23 – Operating mode HO at 1,750 mA

Direct mounting with machine screws M3x6mm;  
Green indicator marks.



for

LED

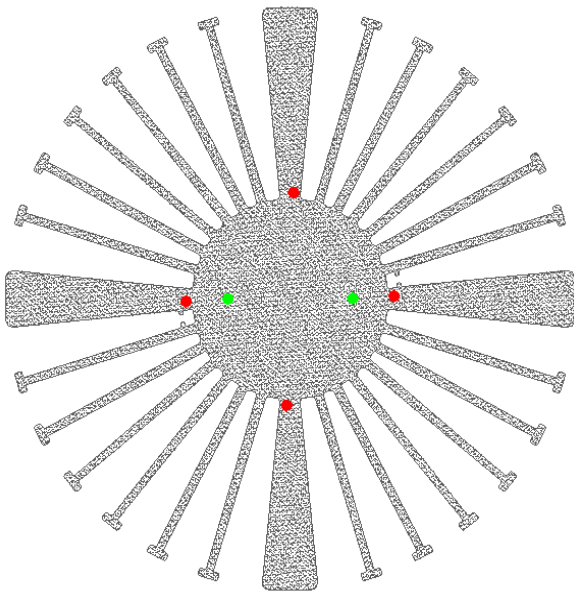


*SimpoLED*

**SimpoLED-TRI-160100 for Tridonic Modular Passive LED Cooler  $\Phi$ 160mm**

**TRIDONIC**

enlightening your ideas



**Tridonic LED Modules Mounting indicator marks overview**

**Tridonic FLE Modules name:**

**STARK-FLE-LES30 – Operating mode at 900 mA**

STARK-FLE-G1-LES30-830-CLA

STARK-FLE-G1-LES30-840-CLA

STARK-FLE-G1-LES30-765-IND

**STARK-FLE-LES30 – Operating mode at 1,400 mA**

STARK-FLE-G1-LES30-830-CLA

STARK-FLE-G1-LES30-840-CLA

STARK-FLE-G1-LES30-765-IND

**STARK-FLE-LES30 – Operating mode at 1,750 mA**

STARK-FLE-G1-LES30-830-CLA

STARK-FLE-G1-LES30-840-CLA

STARK-FLE-G1-LES30-765-IND

**STARK-FLE-LES40 – Operating mode at 1,750 mA**

STARK-FLE-G1-LES40-830-CLA

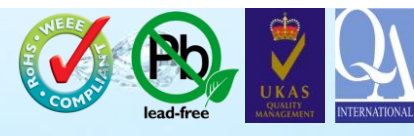
STARK-FLE-G1-LES40-840-CLA

STARK-FLE-G1-LES40-765-IND

**Direct mounting with machine screws M3x6mm;  
Red indicator marks.**



# LED



## SimpoleD SimpoLED-TRI-160100 for Tridonic Modular Passive LED Cooler $\Phi$ 160mm

### Mounting Options and Drawings & Dimensions

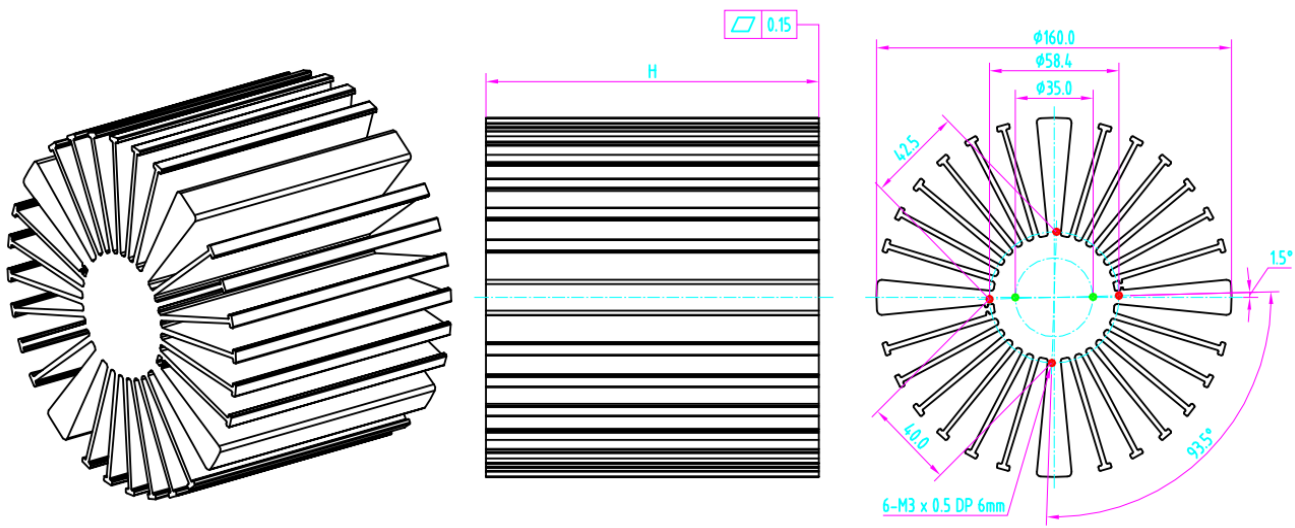
Example: SimpoLED-TRI-160100-B-1  
 Example: SimpoLED-TRI-160 **1** - **2** - **3**

- 1** Height (mm)
- 2** Anodising Color
  - B-Black
  - C-Clear
  - Z-Custom
- 3** Mounting Options - see graphics for details Combinations available  
 Ex.order code - 12  
 means option 1 and 2 combined



Notes:  
 - Mentioned models are an extraction of full product range.  
 - For specific mechanical adaptations please contact MingfaTech.  
 - MingfaTech reserves the right to change products or specifications without prior notice.

MOUNTING OPTION	Module type	Holder NO.	THREAD	THREAD DEPTH	THREAD HOLE DISTANCE
1	SLE G4 EXCITE; SLE G4 ESSENCE; SLE G4 ADVANCED; SLE G4 23mm R SNC; STARK SLE GEN3 SELECT; STARK SLE GEN3 CLASSIC EM; STARK SLE GEN3 CLASSIC; STARK SLE GEN3 Food; STARK SLE GEN3 ART; STARK SLE GEN3 FASHION;	/	M3	6mm	35.0mm/ 2-@180° (Zhaga Book3)
2	STARK FLE	/	M3	6mm	(2x42.5)x(2x40)



Tel: +86-769-39023131  
 E-fax: +86-(020)28819702 ext:22122  
 Email:sales@mingfatech.com  
 Http://www.heatsinkled.com  
 Http://www.mingfatech.com



*SimpoleD*

SimpoleD-TRI-160100 for Tridonic Modular Passive LED Cooler  $\Phi$ 160mm

The thermal data table

	 <i>SimpoleD-160100</i>
<b>Model No.</b>	<b>SimpoleD-TRI-160100</b>
<b>Size</b>	<b><math>\Phi</math>160xH100mm</b>
<b>Material</b>	<b>AL6063-T5</b>
<b>Finish</b>	<b>Black Anodized</b>
<b>Weight(g)</b>	<b>2104.0</b>
<b>Thermal Wattage</b>	<b>100.2W</b>
<b>Heatsink<math>\Theta</math>s-a<sup>2</sup></b>	<b>342742</b>
<b>Heat Sink T Rise Above Ambient</b>	<b>0.48</b>

Dissipated Power Pd(W)	Pd = Pe x (1- $\eta$ L)	Heat sink to ambient thermal resistance Rhs-amb ( $^{\circ}$ C/W)	Heat sink to ambient temperature rise Ths-amb ( $^{\circ}$ C)
		SimpoleD-TRI-160100	SimpoleD-TRI-160100
15		0.64	9.6
30		0.56	16.8
45		0.52	23.4
60		0.50	30.0
75		0.48	36.0
90		0.46	41.4
100		0.48	48.0

