



for

LED



HibayLED

HibayLED-230130

Modular vacuum phase-transition LED Heat Sink (Passive) Φ 230mm

Features VS Benefits

- * Mechanical compatibility with direct mounting of the LED modules to the Modular vacuum phase-transition LED Heat Sinks (Passive) thermal performance matching the lumen packages.
- * Modular design with mounting holes foreseen for direct mounting of a wide range of LED modules and COB's.
- * For Highbay designs from 10000 to 18000 lumen.
- * Thermal resistance range Rth 0.34°C/W.
- * Diameter 230mm - standard height 130mm Other heights on request.
- * 2 standard colors - clear anodized - black anodized.
- * Design for Bridgelux , Citizen , Cree,Seoul,LG Innotek, Tridonic, Lumileds,Lustrous.....



Unique Advantages

- * Integration of heat super conduction and heat dissipation.Reduce heat conduct resistance of heatsink to ZERO;
- * Low heat conduct tempaure difference, equivalent heatconductive ability 20 times better than copper;
- * More than 30% reduce of volume and weight than normal heatsinks;
- * Compared to normal extrusion heatsinks,Mingfa Tech's our vacuum phase-transition heatsinks can adapt higher power for the same size;
- * Compared to normal extrusion heatsinks,Mingfa Tech's vacuum phase-transition LED heatsinks are much smaller volume and lighter weight for the same power;
- * All aluminium,cost effective;

Mounting Options and Drawings & Dimensions

Example:HibayLED-230130-B-2

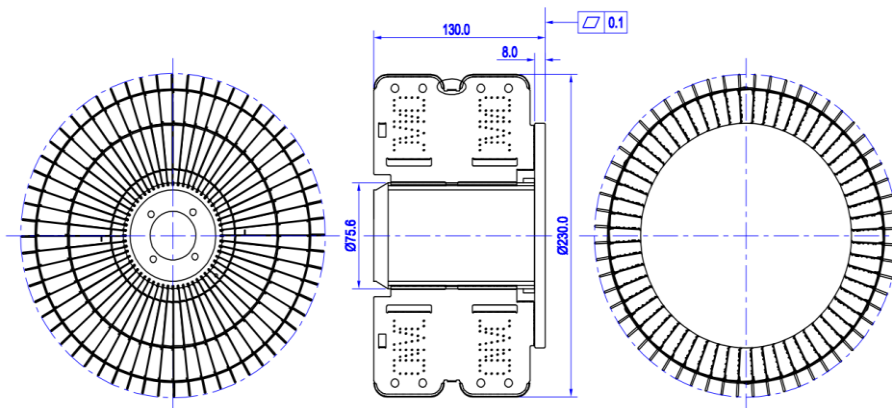
Example:HibayLED-230130 **1** - **2**

- 1** Anodising Color
- B-Black
 - C-Clear
 - Z-Custom

Notes:

- Mentioned models are an extraction of full product range.
- For specific mechanical adaptations please contact MingfaTech.
- MingfaTech reserves the right to change products or specifications without prior notice.

- 2** Mounting Options - see graphics for details Combinations available
- Ex.order code - 12
means option 1 and 2 combined



HibayLED

HibayLED-230130
Modular vacuum phase-transition LED Heat Sink (Passive) Φ 230mm

The thermal data table

	<p><i>HibayLED</i></p>
Model No.	HibayLED-230130
Size	Φ 230xH130mm
Material	AL1070
Finish	Clear Anodized
Weight(gr)	1590
Thermal Wattage	150
HeatsinkΘs-a²	1361840
Heat Sink T_{Rise Above Ambient}	0.34

