



for

LED



HibayLED

HibayLED-LUME-230126

Lumens Modular vacuum phase-transition LED Heat Sink (Passive) Φ230mm

### Features VS Benefits

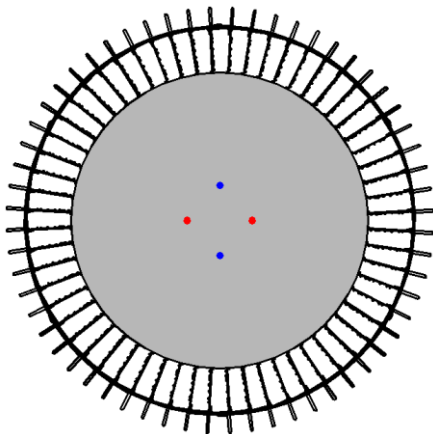
- \* The HibayLED-LUME-230126 Lumens Modular vacuum phase-transition LED Heat Sinks (Passive) are specifically designed for luminaires using the Lumens LED engines.
- \* Mechanical compatibility with direct mounting of the LED engines to the LED cooler and thermal performance matching the lumen packages.
- \* For Highbay designs from 10000 to 18000 lumen.
- \* Thermal resistance range Rth 0.34°C/W.
- \* Modular design with mounting holes foreseen for direct mounting of Lumens ERC3050 and ERC3070 LED engines.
- \* Diameter 230mm - standard height 126mm Other heights on request.



### Unique Advantages

- \* Integration of heat super conduction and heat dissipation.Reduce heat conduct resistance of heatsink to ZERO;
- \* Low heat conduct tempereure difference, equivalent heatconductive ability 20 times better than copper;
- \* More than 30% reduce of volume and weight than normal heatsinks;
- \* Compared to normal extrusion heatsinks,Mingfa Tech's our vacuum phase-transition heatsinks can adapt higher power for the same size;
- \* Compared to normal extrusion heatsinks,Mingfa Tech's vacuum phase-transition LED heatsinks are much smaller volume and lighter weight for the same power;
- \* All aluminium,cost effective;

## LUMENS



Lumens LED engines for which Zhaga LED Modules holders are available.

For the ERC3050 LED engines.

- ERC3050S8xxHE;
- ERC3050S9xxHE;

For the ERC3070 LED engines.

- ERC3070S8xxHE;
- ERC3070S9xxHE;

Mounting with machine screws M3x8mm;

NO.1:With Zhaga Book 3 LED holder for red indicator marks.

(Ideal Holder:50-2234C);

(BJB holder:47.319.2151.50);

NO.2:Without the LED holder for blue indicator marks.

Please refer to the [www.lumensleds.com](http://www.lumensleds.com) data provided on the manual.

Tel:+86-769-39023131

E-fax:+86-(020)28819702 ext:22122

Email:sales@mingfatech.com

Http://www.heatsinkled.com

Http://www.mingfatech.com





**HibayLED**

**HibayLED-LUME-230126**

**Lumens Modular vacuum phase-transition LED Heat Sink (Passive) Φ230mm**

**Mounting Options and Drawings & Dimensions**

Example:HibayLED-LUME-230126-B-1,2

Example:HibayLED-LUME-230126 **1** - **2**

- 1** Anodising Color
  - B-Black
  - C-Clear
  - Z-Custom

- 2** Mounting Options - see graphics for details Combinations available
  - Ex.order code - 12
  - means option 1 and 2 combined

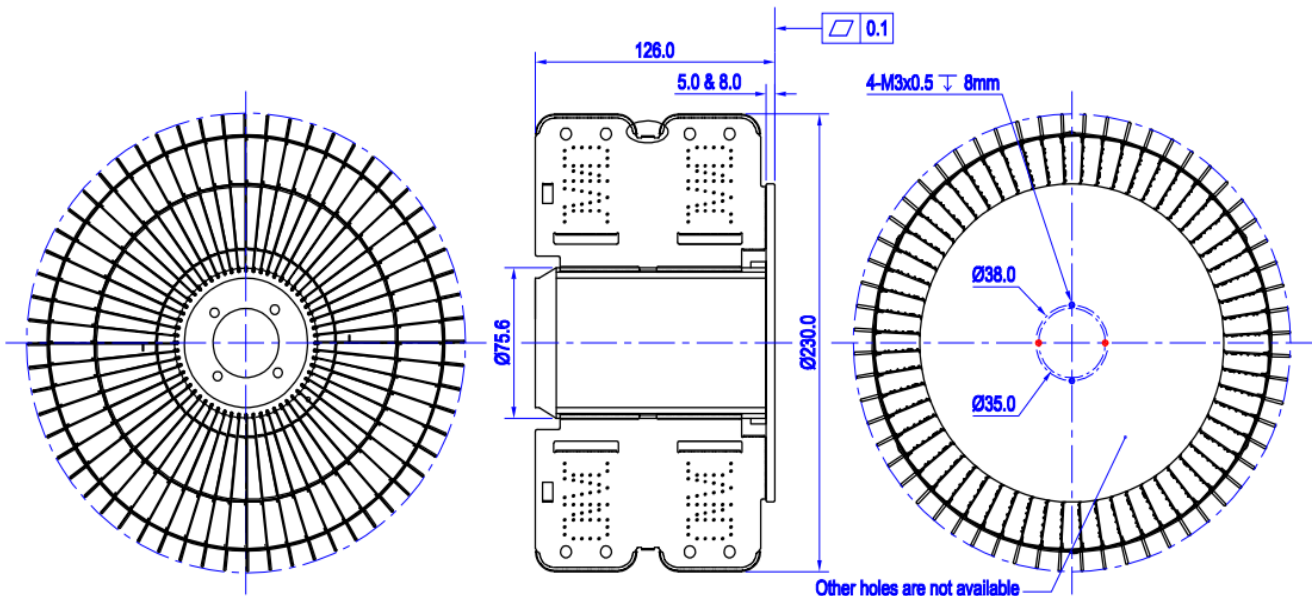
**Notes:**

- Mentioned models are an extraction of full product range.
- For specific mechanical adaptations please contact MingfaTech.
- MingfaTech reserves the right to change products or specifications without prior notice.

**LUMENS**



MOUNTING OPTION	Module type	Holder NO.	THREAD	THREAD DEPTH	THREAD HOLE DISTANCE
1	ERC3050 ERC3070	Ideal 50-2234C	M3	8mm	35.0mm/ 2-@180°
		BJB 47.313.2131.50			
2		/	M3	8mm	38.0mm/ 2-@180°



Tel:+86-769-39023131  
 E-fax:+86-(020)28819702 ext:22122  
 Email:sales@mingfatech.com  
 Http://www.heatsinkled.com  
 Http://www.mingfatech.com



*HibayLED*

HibayLED-LUME-230126

Lumens Modular vacuum phase-transition LED Heat Sink (Passive)  $\Phi$ 230mm

The thermal data table

	<p><i>HibayLED</i></p>
Model No.	HibayLED-LUME-230126
Size	$\Phi$ 230xH126mm
Material	AL1070
Finish	Clear Anodized
Weight(gr)	1590.0
Thermal Wattage	150.0W
Heatsink $\Theta$ s-a <sup>2</sup>	1361840
Heat Sink T <sub>Rise Above Ambient</sub>	0.34

