



for

LED

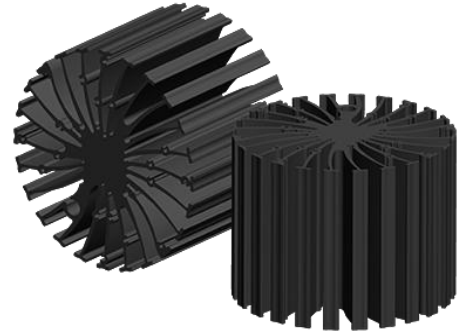


EtraLED

EtraLED-PHI-11080 for Philips Modular Passive Star LED Heat Sink Φ 110mm

Features VS Benefits

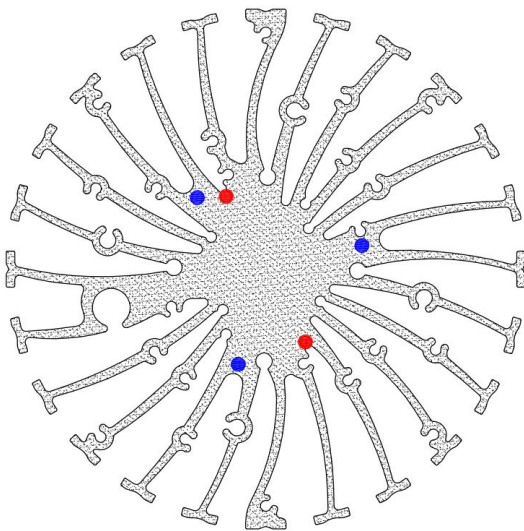
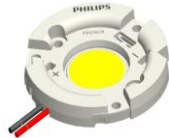
- * The EtraLED-PHI-11080 Philips Modular Passive LED Coolers are specifically designed for luminaires using the Philips LED engines.
- * Mechanical compatibility with direct mounting of the LED engines to the LED cooler and thermal performance matching the lumen packages.
- * For spotlight and downlight designs from 2200 to 6600 lumen.
- * Thermal resistance range Rth 0.9°C/W.
- * Modular design with mounting holes foreseen for direct mounting of Philips SLM LED engines.
- * Diameter 110mm - standard height 80mm Other heights on request.
- * Extruded from highly conductive aluminum.



Zhaga LED engine and radiator assembly is a unified future international standardization

- * Below you find an overview of Philips COB's and LED modules which standard fit on the EtraLED coolers.
- * In this way mechanical after work and related costs can be avoided, and lighting designers can standardize their designs on a limited number of LED coolers.

PHILIPS



Philips LED engines for which Zhaga book3 LED Modules holders are available.

For the Fortimo SLM LED engines.

Philips Fortimo SLM LED modular Gen4:

- Fortimo LED SLM 3000LM xxx L15 G4;
- Fortimo LED SLM 4500LM xxx L19 G4;

Philips Fortimo SLM LED modular Gen3:

- Fortimo LED SLM 3000LM xxx L19 G3;
- Fortimo LED SLM 4500LM xxx L22 G3;
- Fortimo LED SLM 4000LM xxx L22 G3;

Philips Fortimo SLM LED modular Gen2:

- Fortimo LED SLM 1100LM xxx L13 G2;
- Fortimo LED SLM 2000LM xxx L19 G2;
- Fortimo LED SLM 3000LM xxx L19 G2;

NO`1: Blue indicator marks:

Direct mounting with machine screws M3x8mm;

NO`2: With Zhaga Book 3 LED holder for red indicator marks.

Direct mounting with machine screws M3x8mm;





for

LED



EtraLED

EtraLED-PHI-11080 for Philips Modular Passive Star LED Heat Sink Φ 110mm

Mounting Options and Drawings & Dimensions

Example: EtraLED-PHI-11080-B-3

Example: EtraLED-PHI-110 **1** - **2** - **3**

1 Height (mm)

2 Anodising Color

B-Black

C-Clear

Z-Custom

3 Mounting Options - see graphics for details Combinations available

Ex.order code - 12

means option 1 and 2 combined

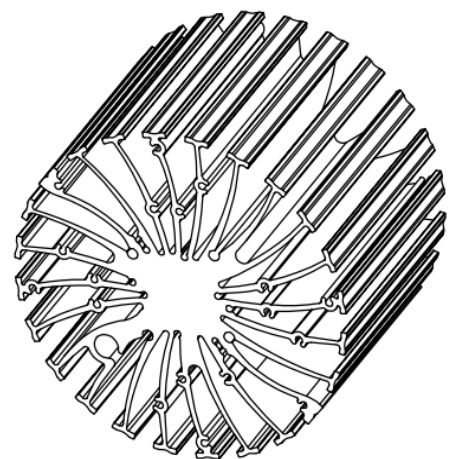
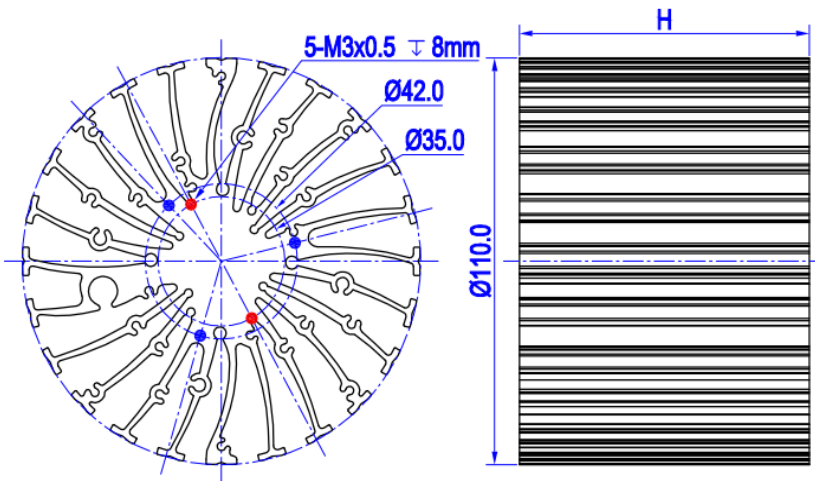
Notes:

- Mentioned models are an extraction of full product range.
- For specific mechanical adaptations please contact MingfaTech.
- MingfaTech reserves the right to change products or specifications without prior notice.

PHILIPS



MOUNTING OPTION	Module type	Holder NO.	THREAD	THREAD DEPTH	THREAD HOLE DISTANCE
1	Fortimo SLM	/	M3	8mm	35.0mm/ 2-@180°
2		/	M3	8mm	42.0mm/ 3-@120°



EtraLED

EtraLED-PHI-11080 for Philips Modular Passive Star LED Heat Sink Φ 110mm

The thermal data table

	 <p><i>EtraLED-11080</i></p>
Model No.	EtraLED-PHI-11080
Size	Φ110xH80mm
Material	AL6063-T5
Finish	Black Anodized
Weight(gr)	662.0
Thermal Wattage	57.0W
HeatsinkΘs-a²	194856
Heat Sink T Rise Above Ambient	0.9

Dissipated Power Pd(W)	Pd = Pe x (1- η L)	Heat sink to ambient thermal resistance Rhs-amb ($^{\circ}$ C/W)	Heat sink to ambient temperature rise Ths-amb ($^{\circ}$ C)
		EtraLED-PHI-11080	EtraLED-PHI-11080
10		1.30	13.00
15		1.20	18.00
20		1.10	22.00
25		1.10	27.50
35		1.00	35.00
45		0.95	43.00
55		0.90	49.00
60		0.88	54.00

